

Installation Instruction

QASHQAI



I、 Notes

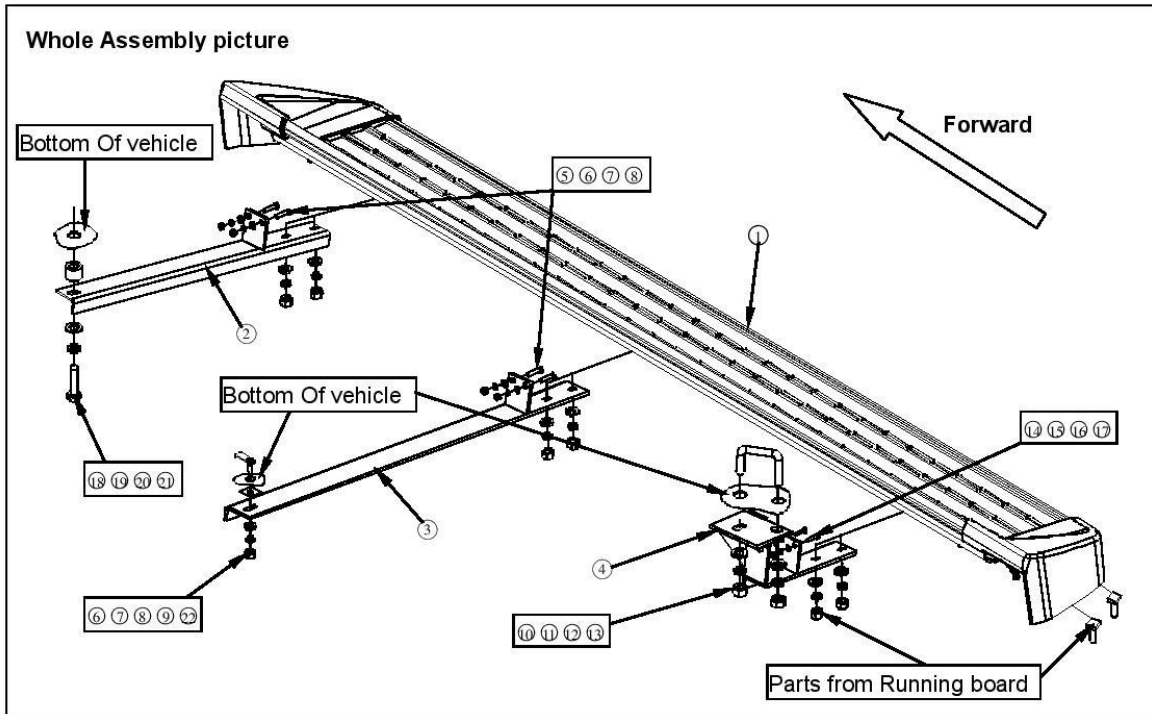
- ≡ Pictures for reference only, actual parts may be different. Mounting methods are the same
- ≡ Please read through the instruction carefully before installation. Perform a careful installation to prevent the vehicle from being scratched.
- ≡ Check all fastens periodically to offer a safe use. Clean the board periodically to offer a long lasting look.

ii、 Functions and features

- ≡ Special design contours to the corners of the vehicle
- ≡ Reasonable design to offer a firm installation. Special surface treatment offers a better anti-corrosion ability.

III、 Part list

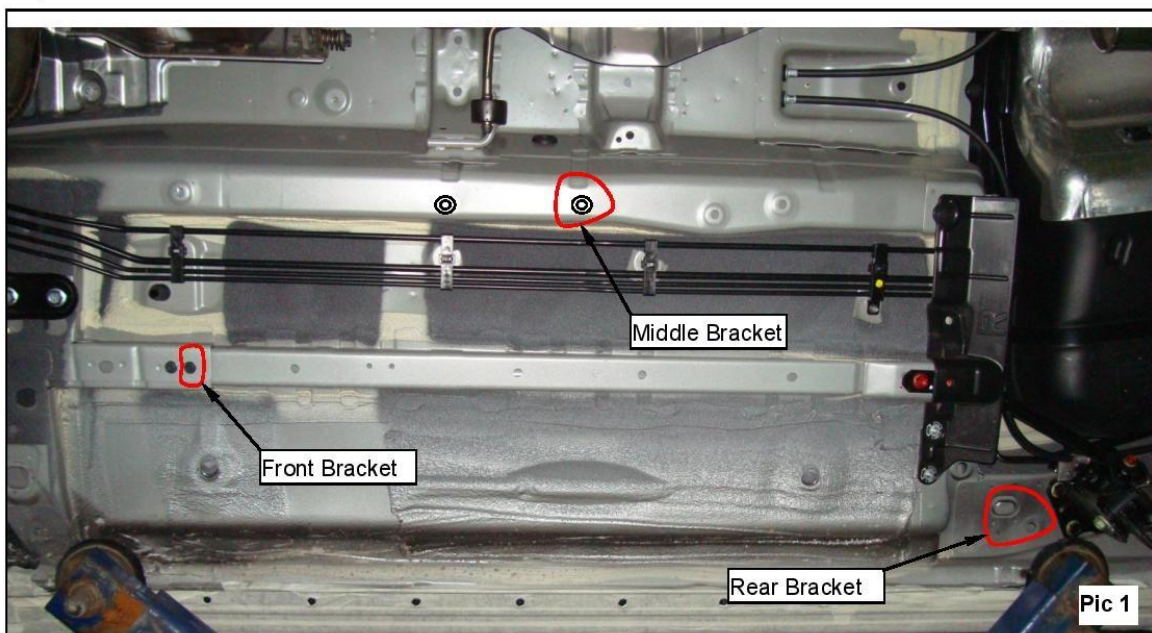
Number	Part Description	Qty	Mea	Number	Part Description	Qty	Mea
①	Running Board	2		⑫	Lock Washer	4	8mm
②	Front Bracket	2		⑬	Hex Nut	4	M8
③	Middle Bracket	2		⑭	Hex Bolt	4	M5×20
④	Rear Bracket	2		⑮	Flat Washer	4	5mm
⑤	Hex Bolt	8	M6×20	⑯	Lock Washer	4	5mm
⑥	Flat Washer	10	6mm	⑰	Hex Nut	4	M5
⑦	Lock Washer	10	6mm	⑱	Hex Bolt	2	M8×35
⑧	Hex Nut	10	M6	⑲	Flat Washer	2	8mm
⑨	T-Bolt	2	M6×30	⑳	Lock Washer	2	8mm
⑩	U-Bolt	2	M8	㉑	Spacer Rings	2	
⑪	Flat Washer	4	8mm	㉒	Cushion plate	2	M6



IV、 Installation Procedures

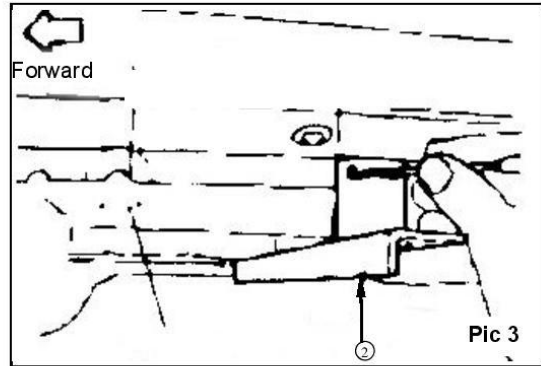
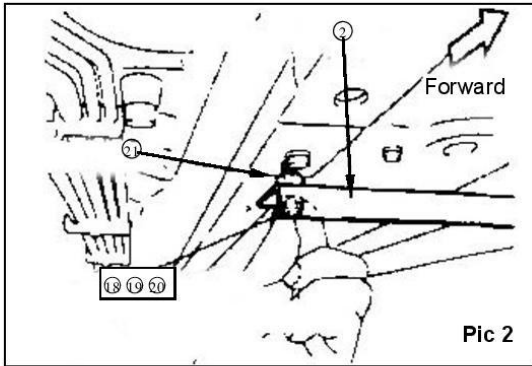
Step 1: Make reference to the part list and make sure all parts are presented. Distinguish out the left and right brackets!

Step 2: Differentiate the holes. (See Pic 1)



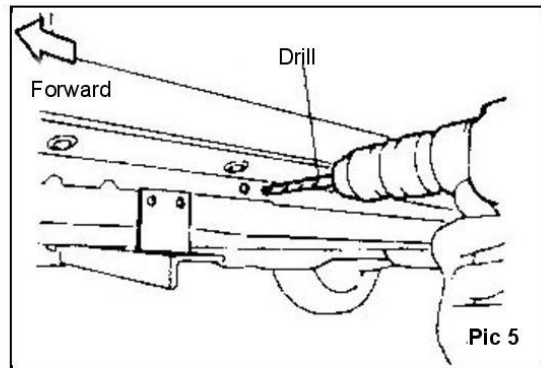
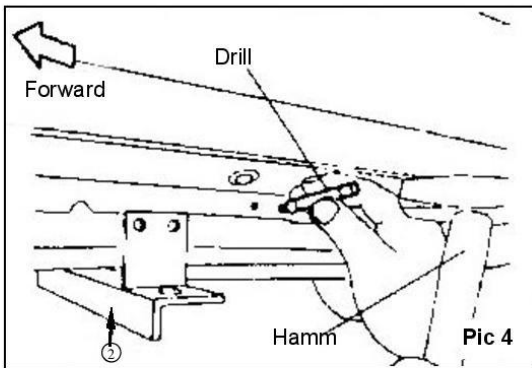
Step 3: Use part ⑬⑭⑮⑯ to fix ② to the vehicle bottom temporarily. (See Pic 2)

Step 4: Mark out the position of the holes need to be drilled by making use of the two holes on the brackets(See pic 3).

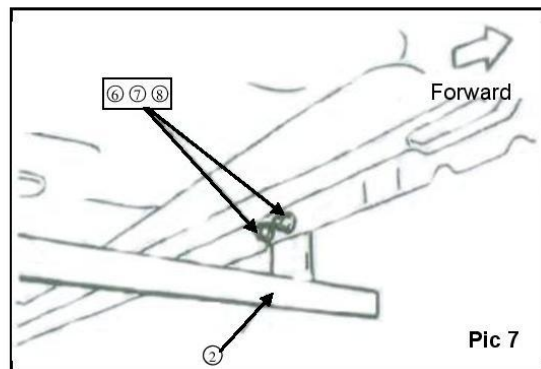
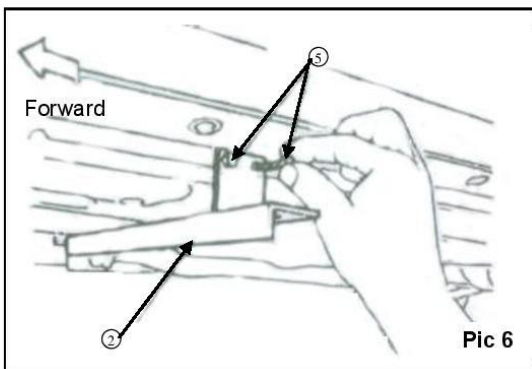


Step 5: Countermark the hole position by using the drill and hammer. (See picture 4)

Step 6: Move away the brackets and drill a $\phi 6\text{mm}$ hole. (See picture 5)



Step 7: Use ⑤⑥⑦⑧ to fix ②. (See picture 6&7)



- Step 8: Use part ⑥ ⑦ ⑧ ⑨ ⑫ to fix ③ to the vehicle bottom temporarily.
- Step 9: Mark out the position of the holes need to be drilled by making use of the two holes on the brackets.
- Step 10: Countermark the hole position by using the drill and hammer.
- Step 11: Move away the brackets and drill a $\phi 6$ mm hole.
- Step 12: Use ⑤ ⑥ ⑦ ⑧ to fix ③.
- Step 13: Use part ⑩ ⑪ ⑫ ⑬ to fix ④ to the vehicle bottom temporarily.
- Step 14: Mark out the position of the holes need to be drilled by making use of the two holes on the brackets.
- Step 15: Countermark the hole position by using the drill and hammer.
- Step 16: Move away the brackets and drill a $\phi 5$ mm hole.
- Step 17: Use ⑭ ⑮ ⑯ ⑰ to fix ④.
- Step 18: Refer to the illustrations and use the parts on the running board to fix the running board onto the brackets.
- Step 19: Adjust the running board to an appropriate position and screw down all fastens.
- Step 20: Check for a complete installation and ensure all the fastens are fixed.
- Step 21: Installation is completed.

V、Disclaimer: We are not responsible for any quality problems caused by improper installation and use.