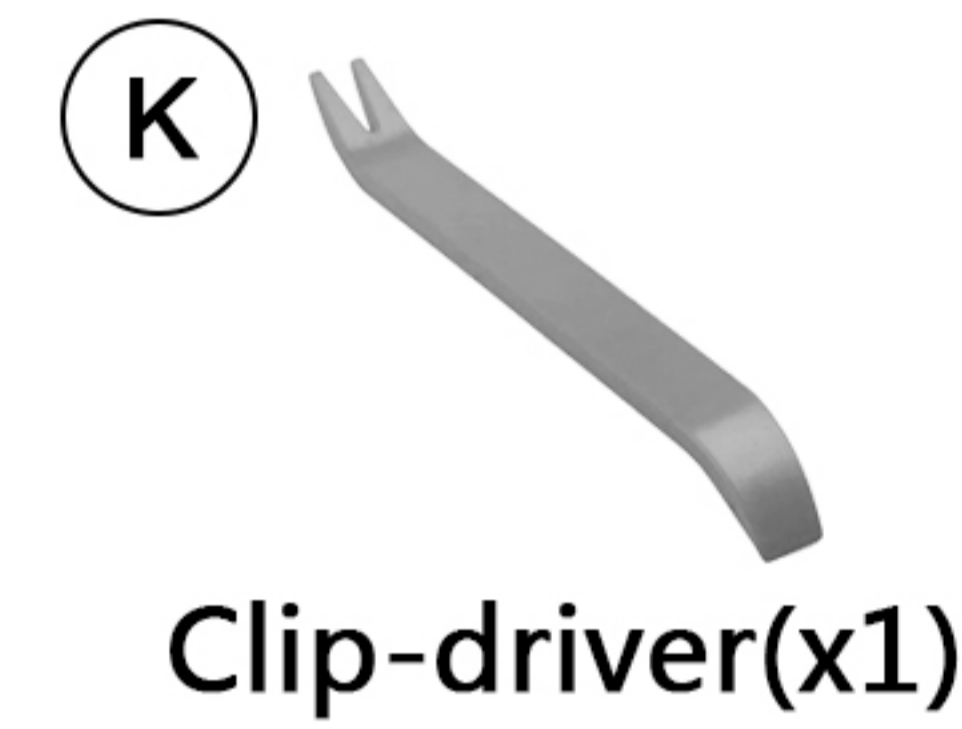
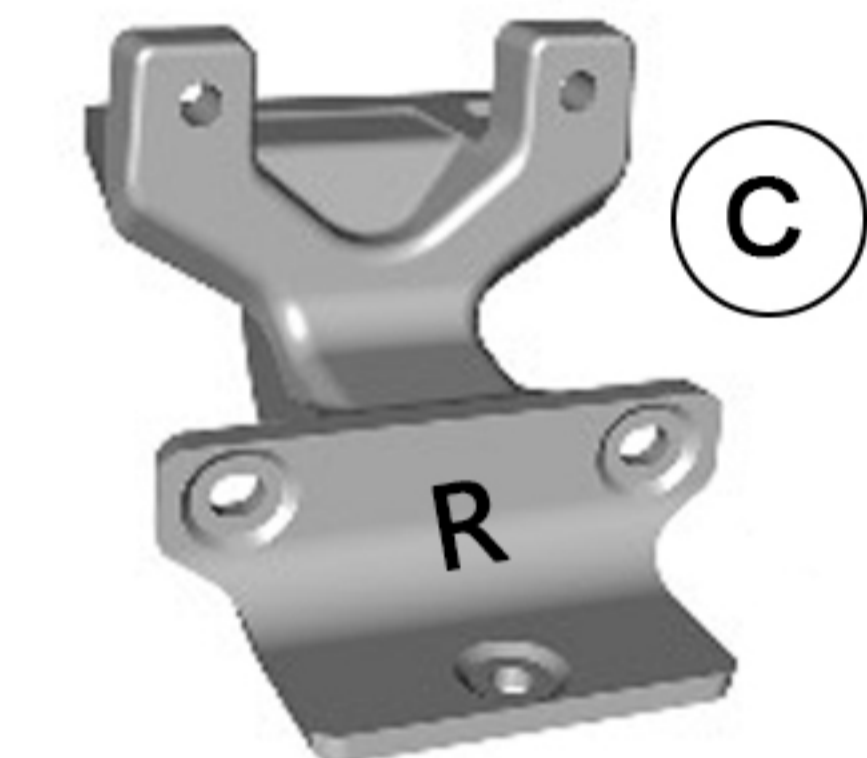
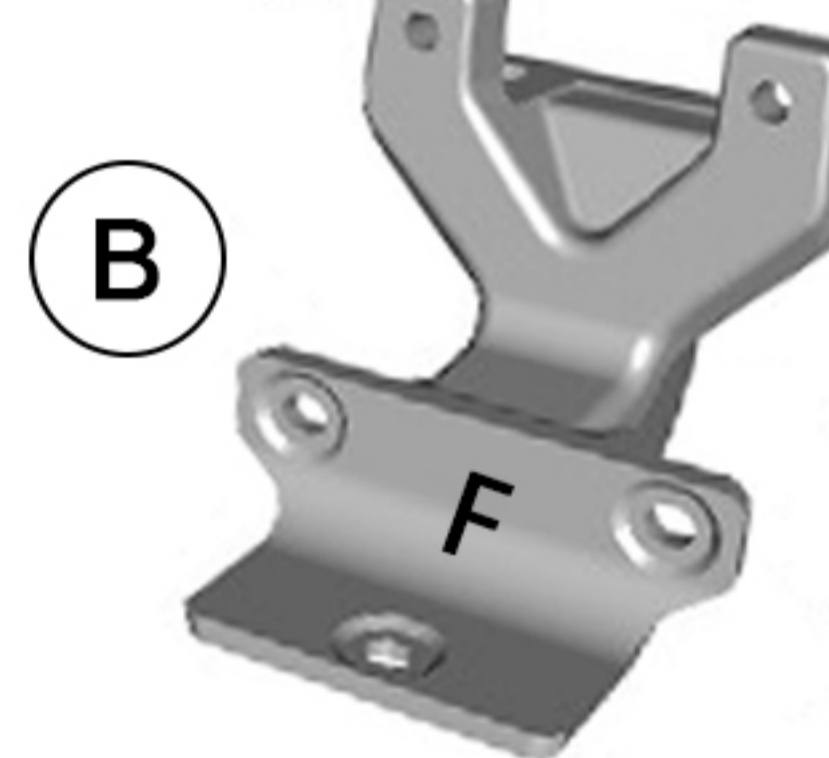
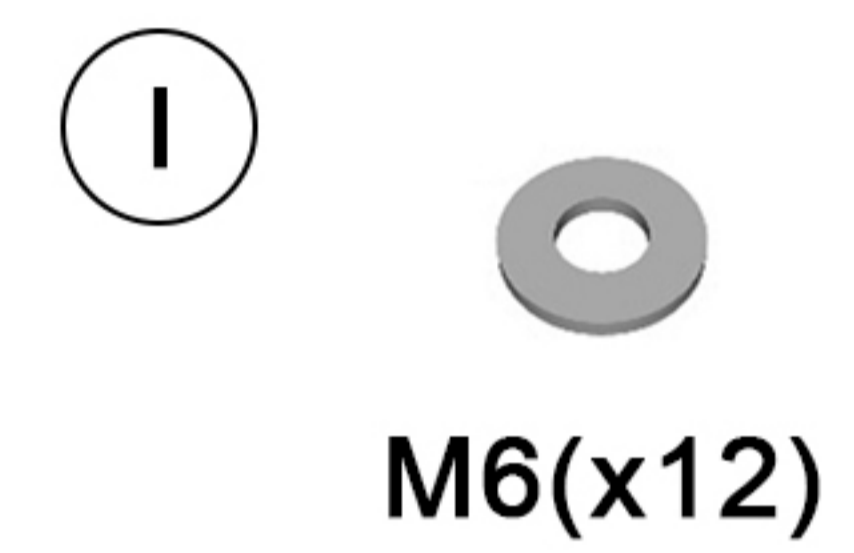
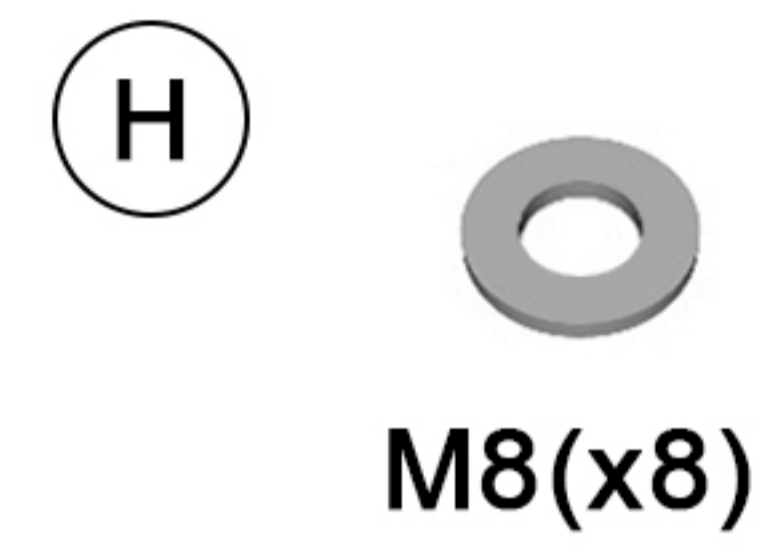
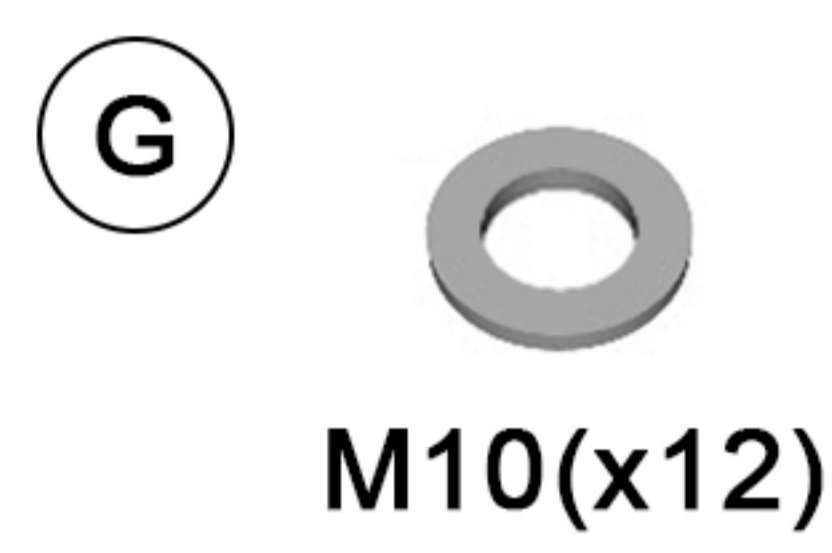
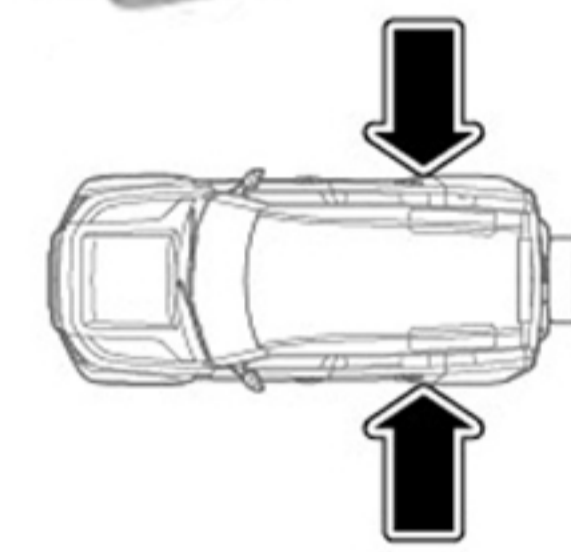
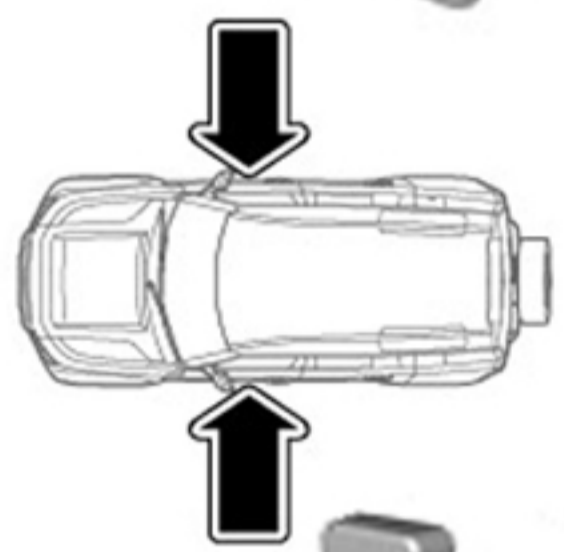
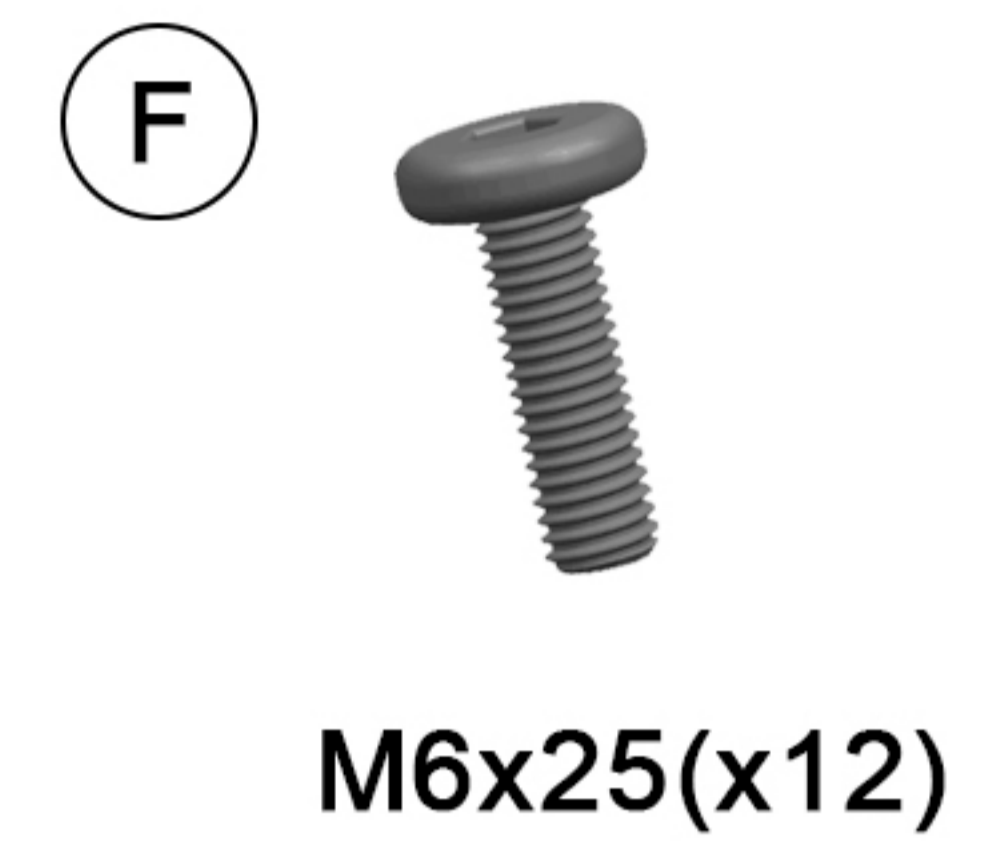
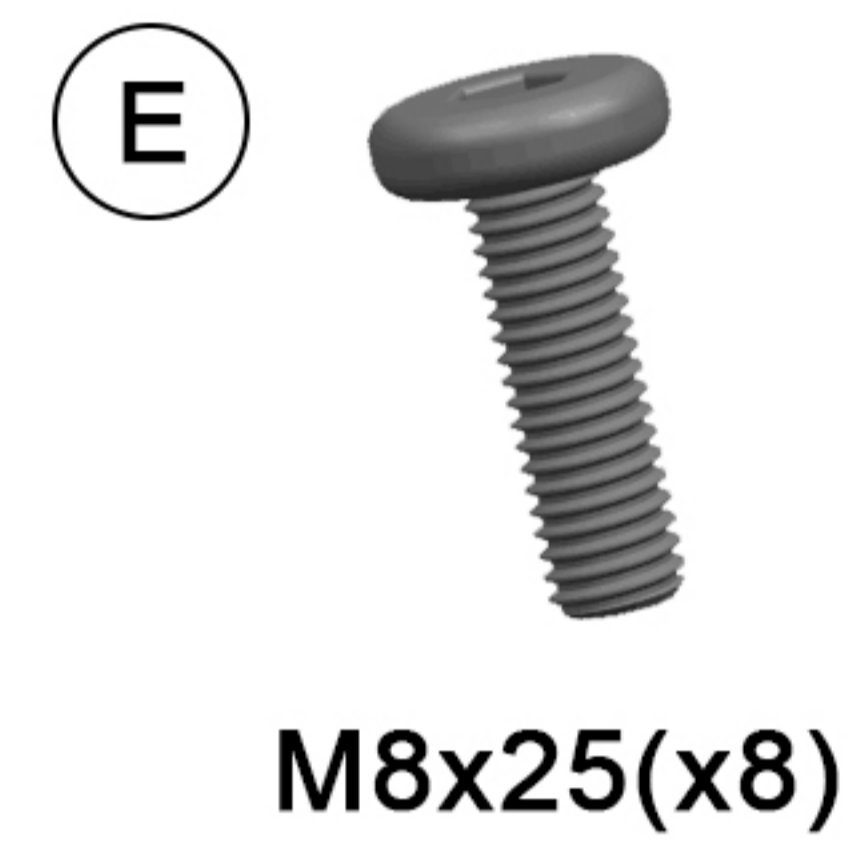
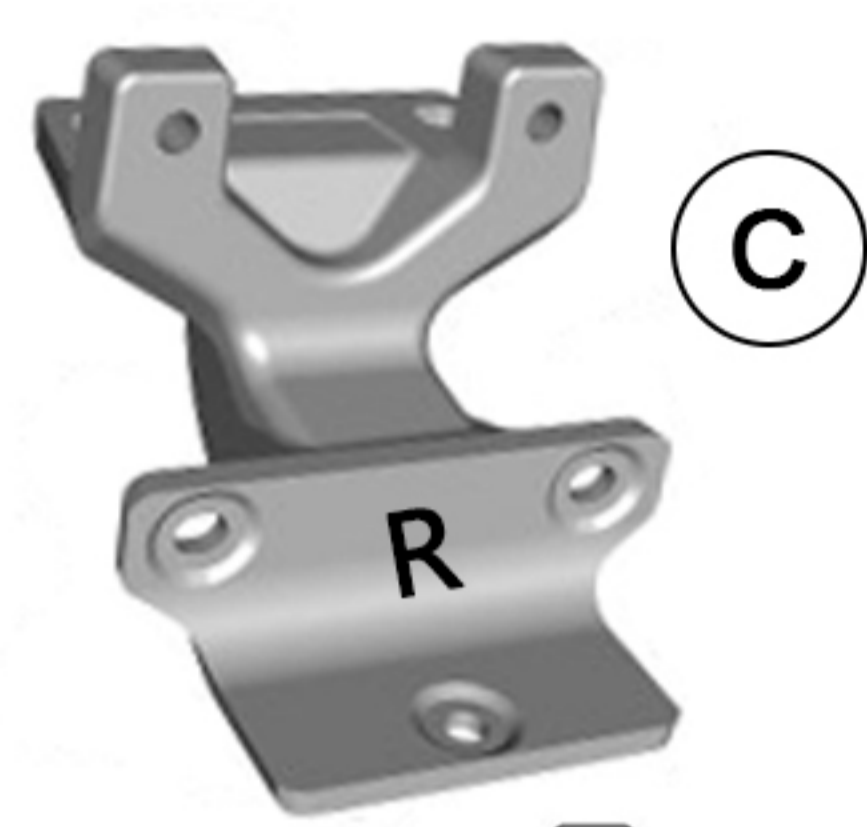
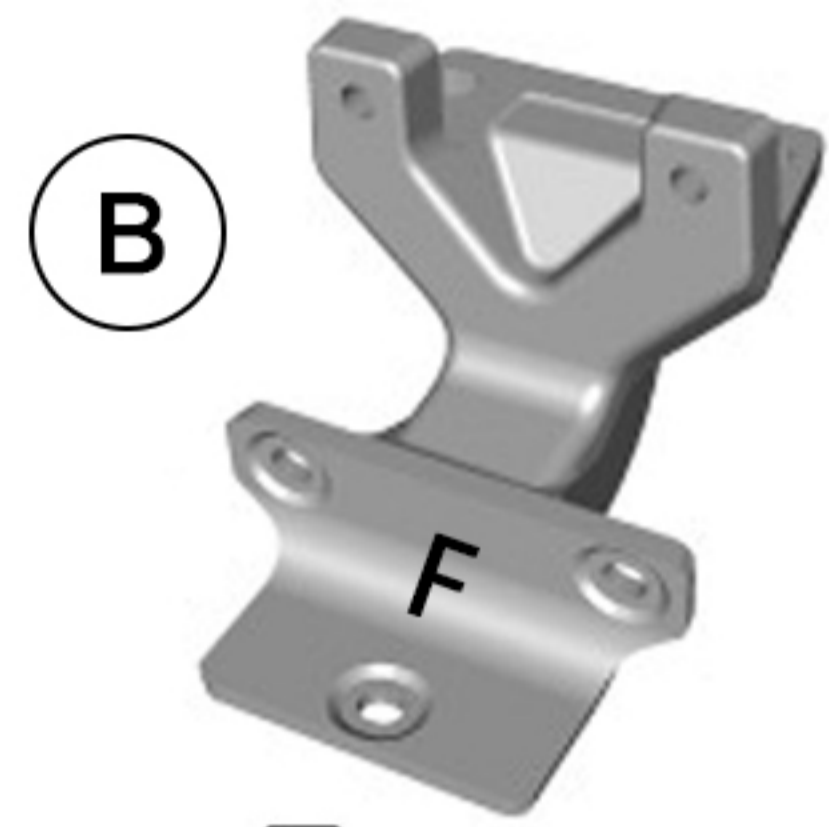
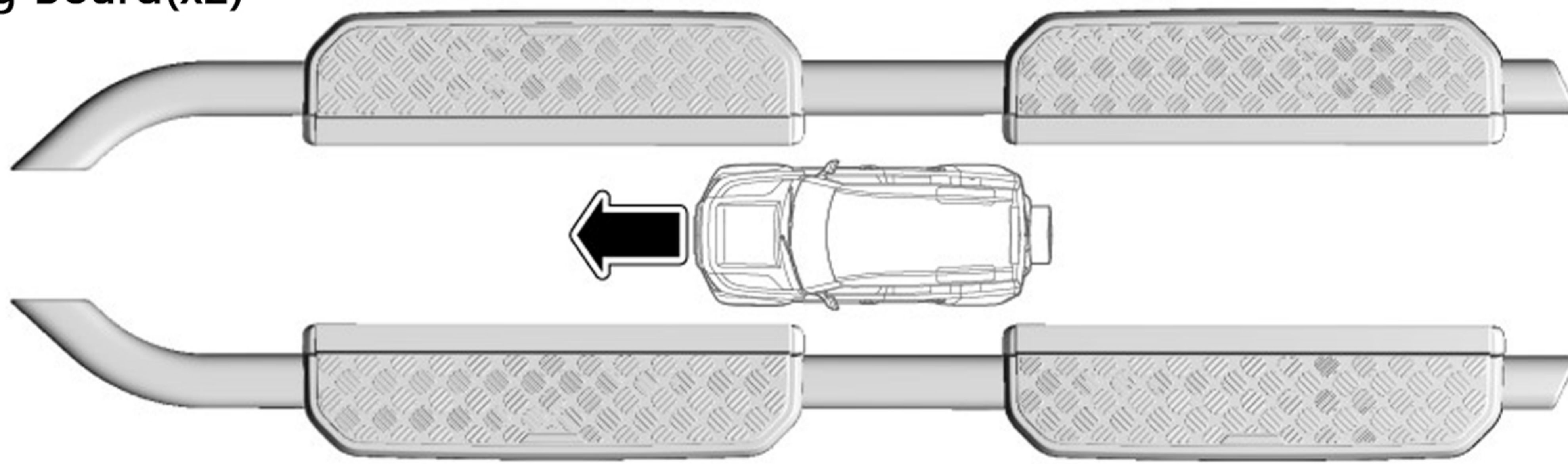


INSTALLATION INSTRUCTION OF RUNNING BOARD FOR LAND ROVER DEFENDER

(A) Running Board(x2)



Front Bracket(x2)

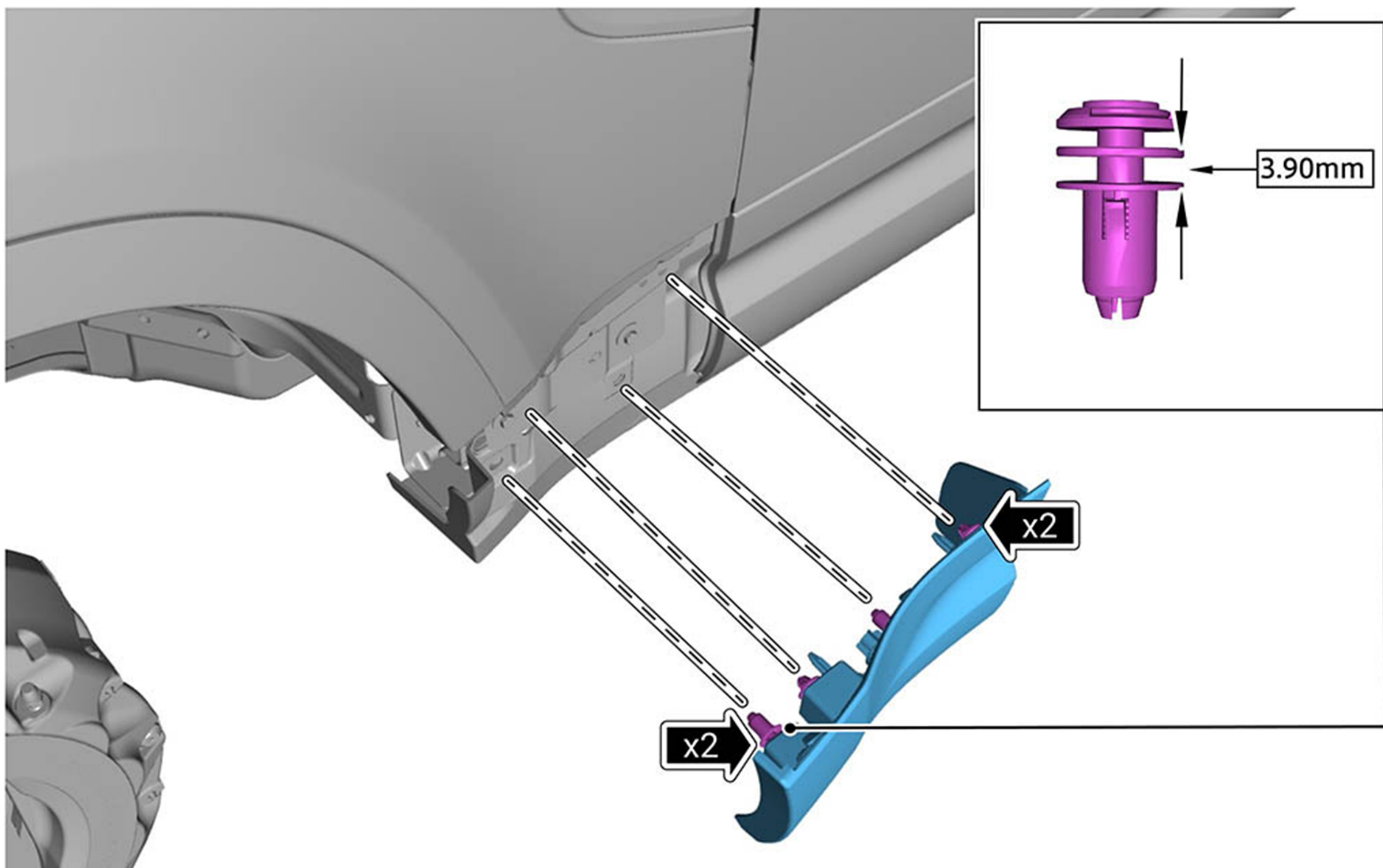
Rear Bracket(x2)

⚠ WARNING

It will be dangerous if accessories are not installed correctly. Read the instructions carefully before installation and follow the instructions at all times. If you have any questions, please contact the nearest approved retailer.

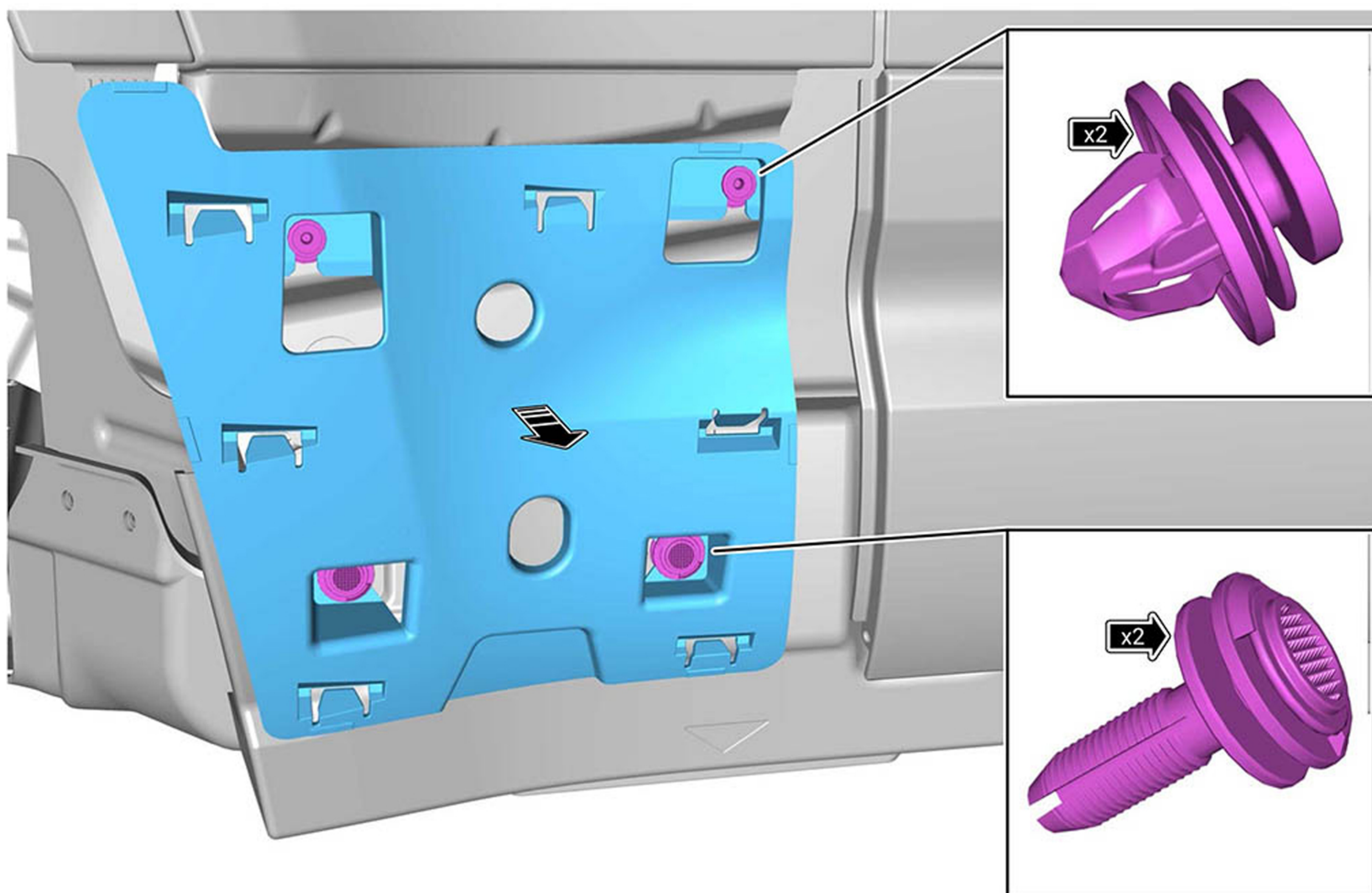
DISASSEMBLY INSTRUCTIONS

1 Remove the front fender molding.



2

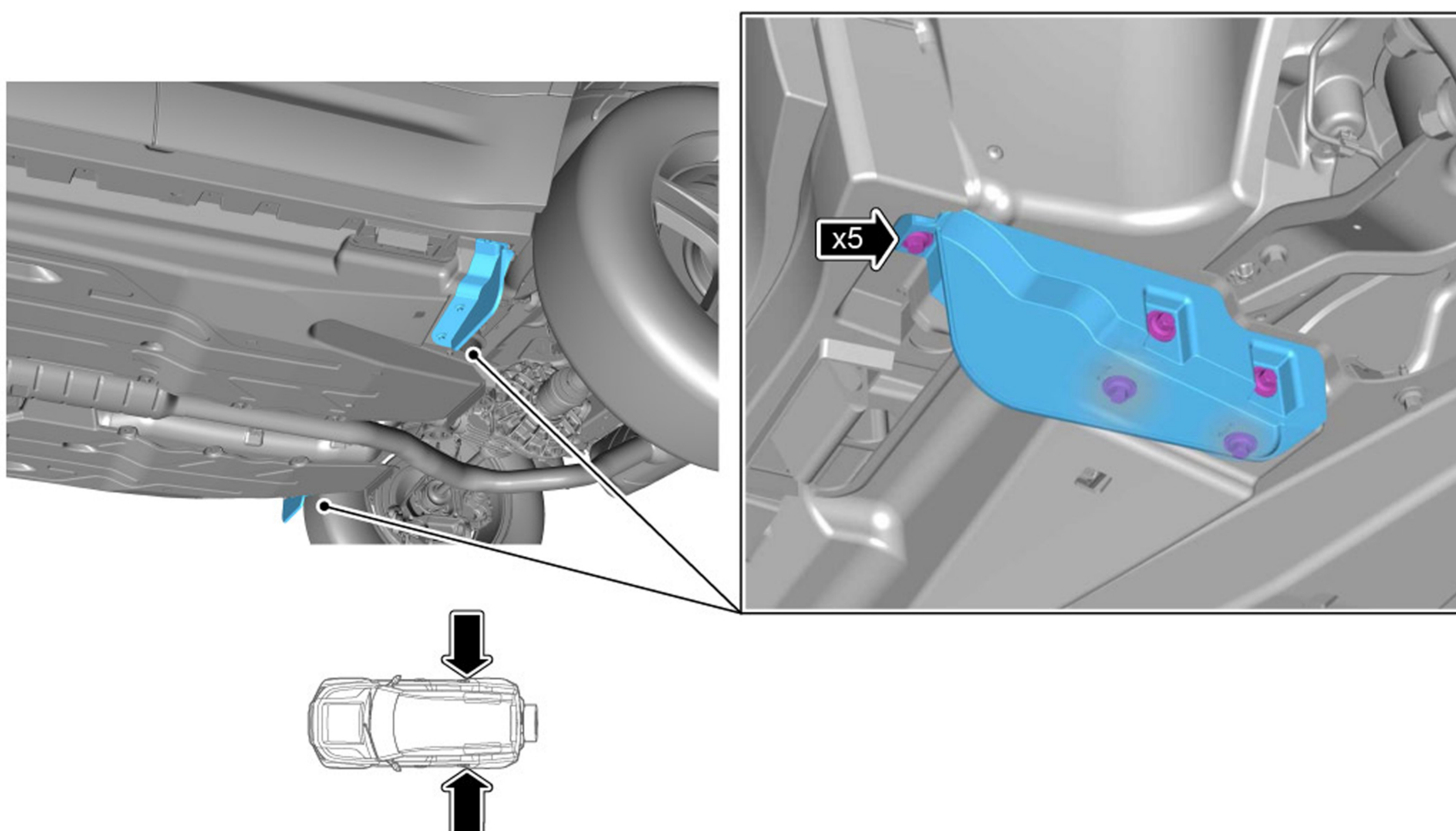
Remove the two lower clips.
Loosen the two top clips.
Remove the front fender molding bracket.



Note: Make sure to keep all fixtures

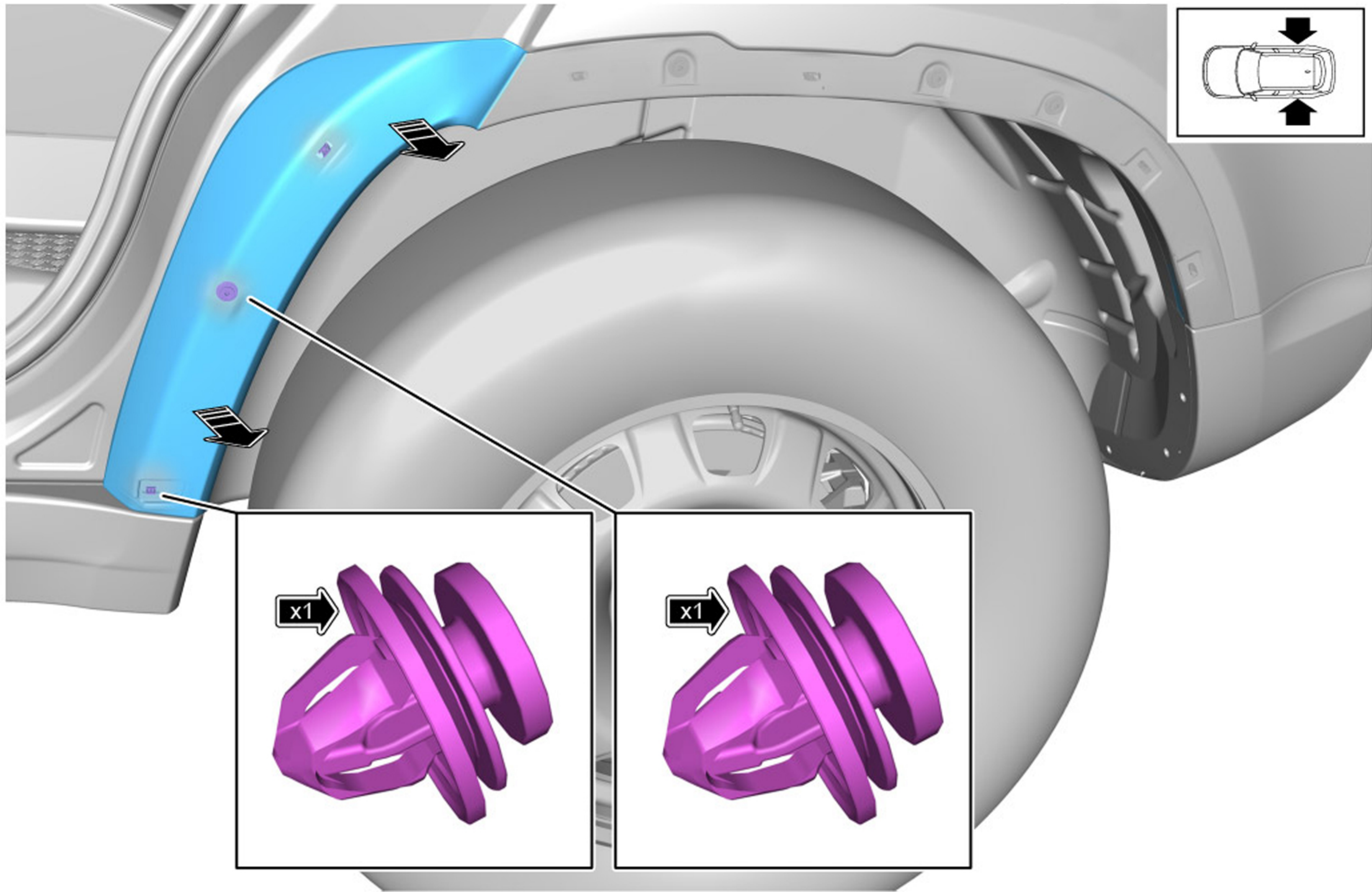
3

Remove the small baffles on both sides of the vehicle.



4

As the picture shows

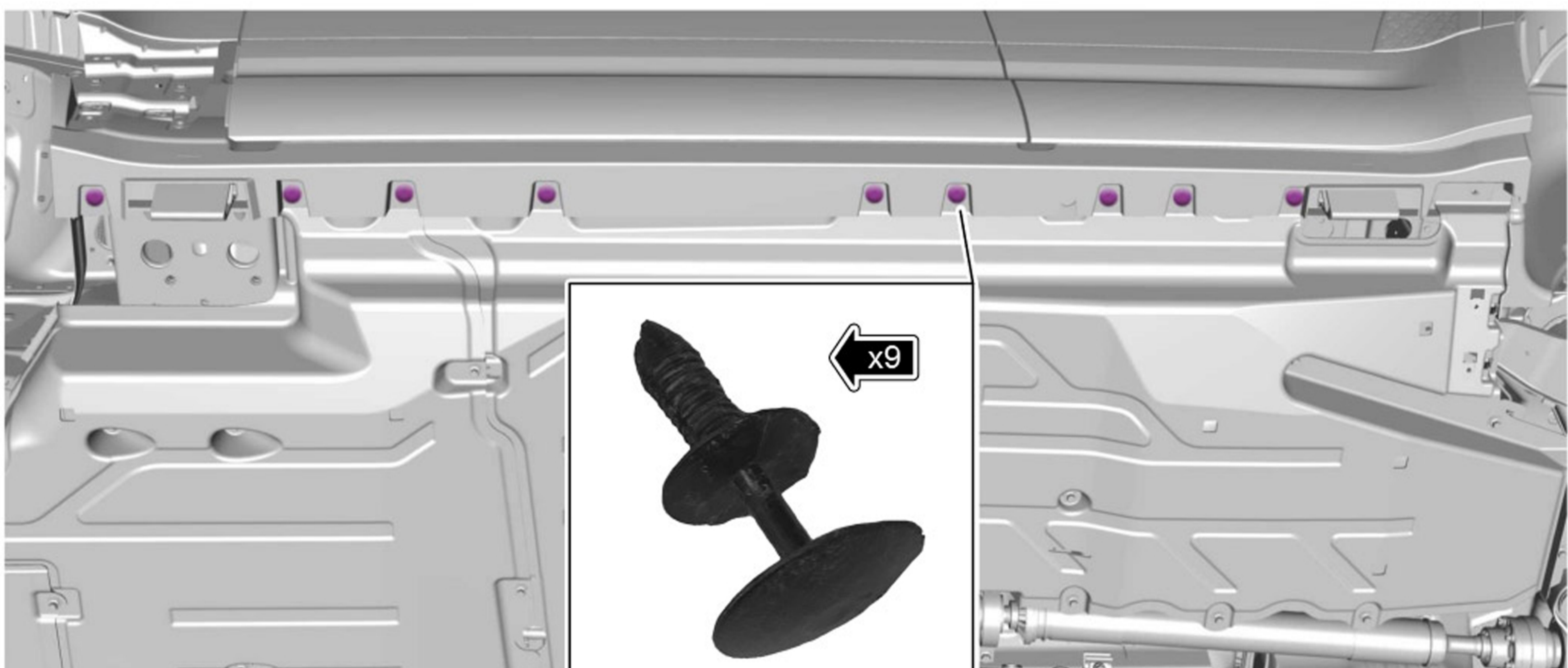


Caution: The clip may be damaged during the disassembly process. If the clip is damaged, replace it

Note: Install the three fixing pieces to the rear wheel arch lining and move it to one side after molding, and the rear wheel arch lining next to it is formed as shown in the picture to allow access

5

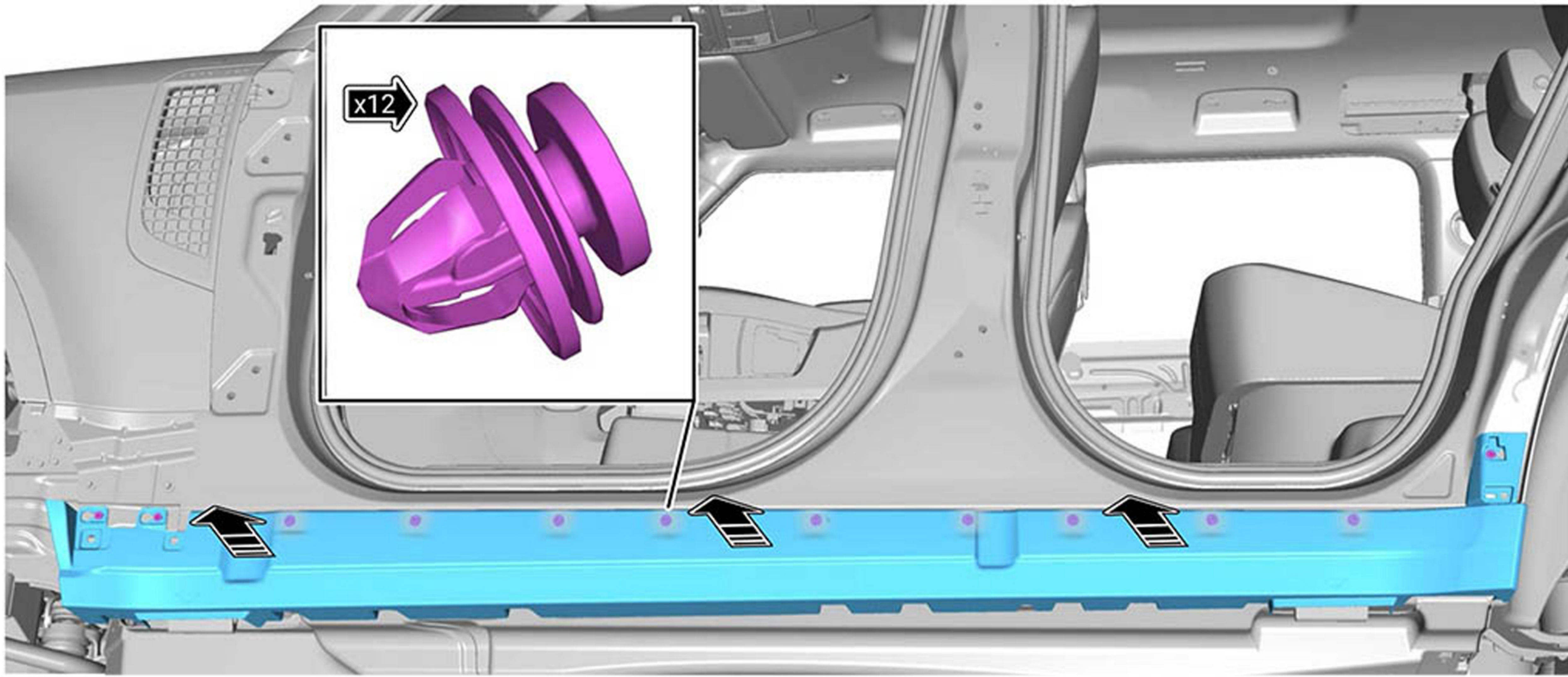
Remove 9 clips.



Caution: The clip may be damaged during the disassembly process. If the clip is damaged, replace it

6

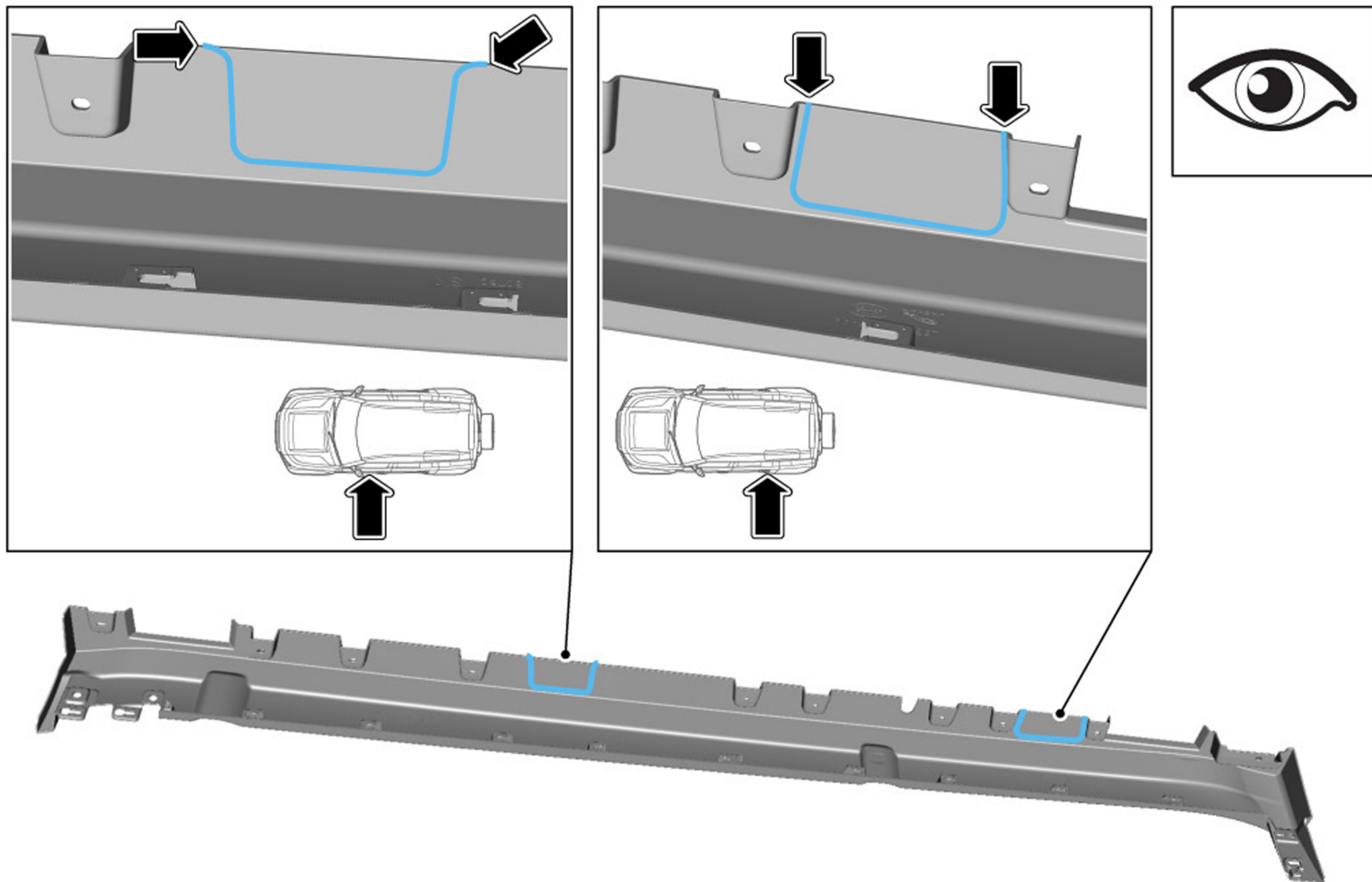
Remove clips, remove side panel.



Note: Please don't damage the parts.

7

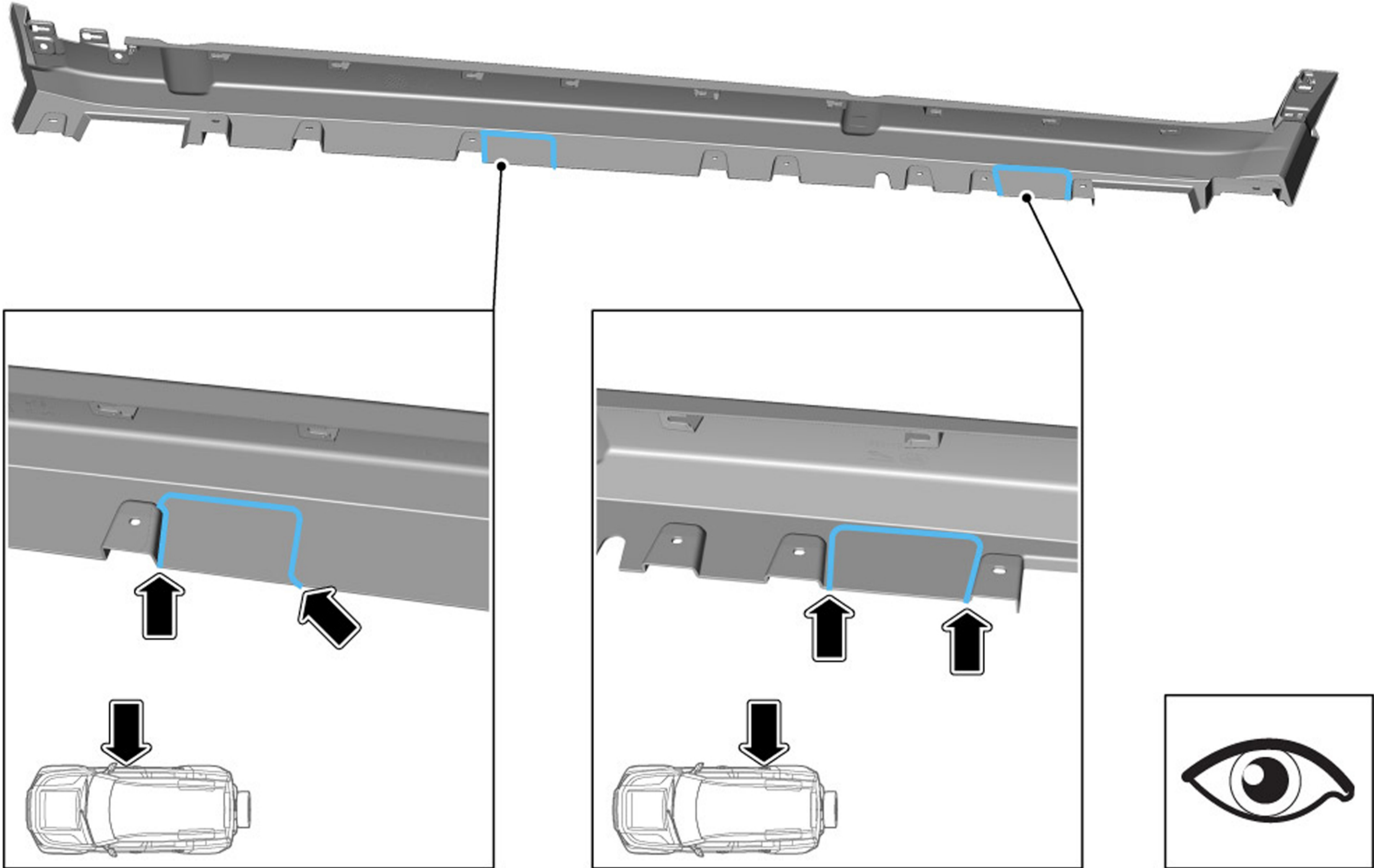
Identify the cutting guide line on the left panel



Note: The cutting guide lines on the left and right panels are different

8

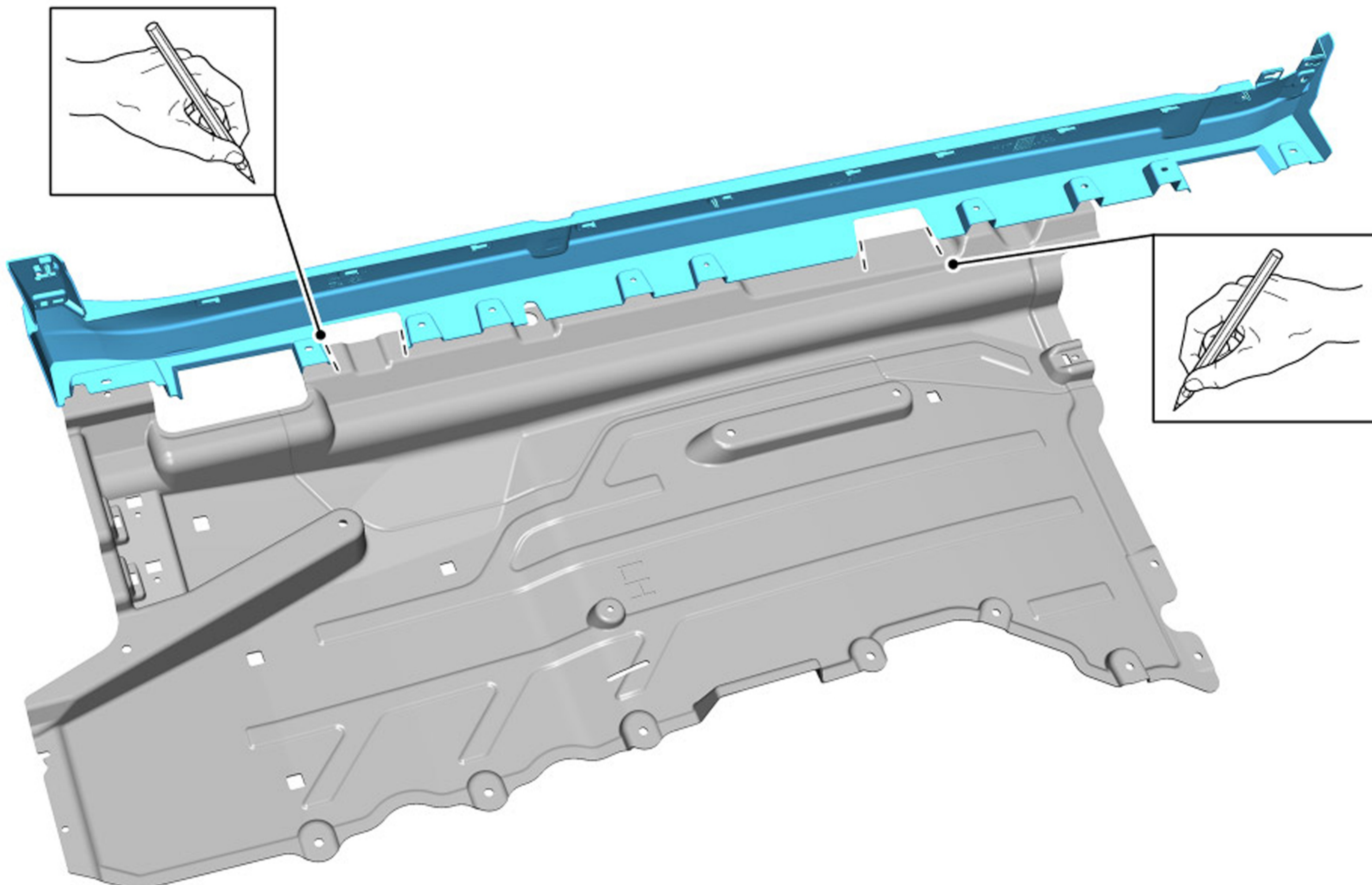
Make sure to cut the guide rail as shown



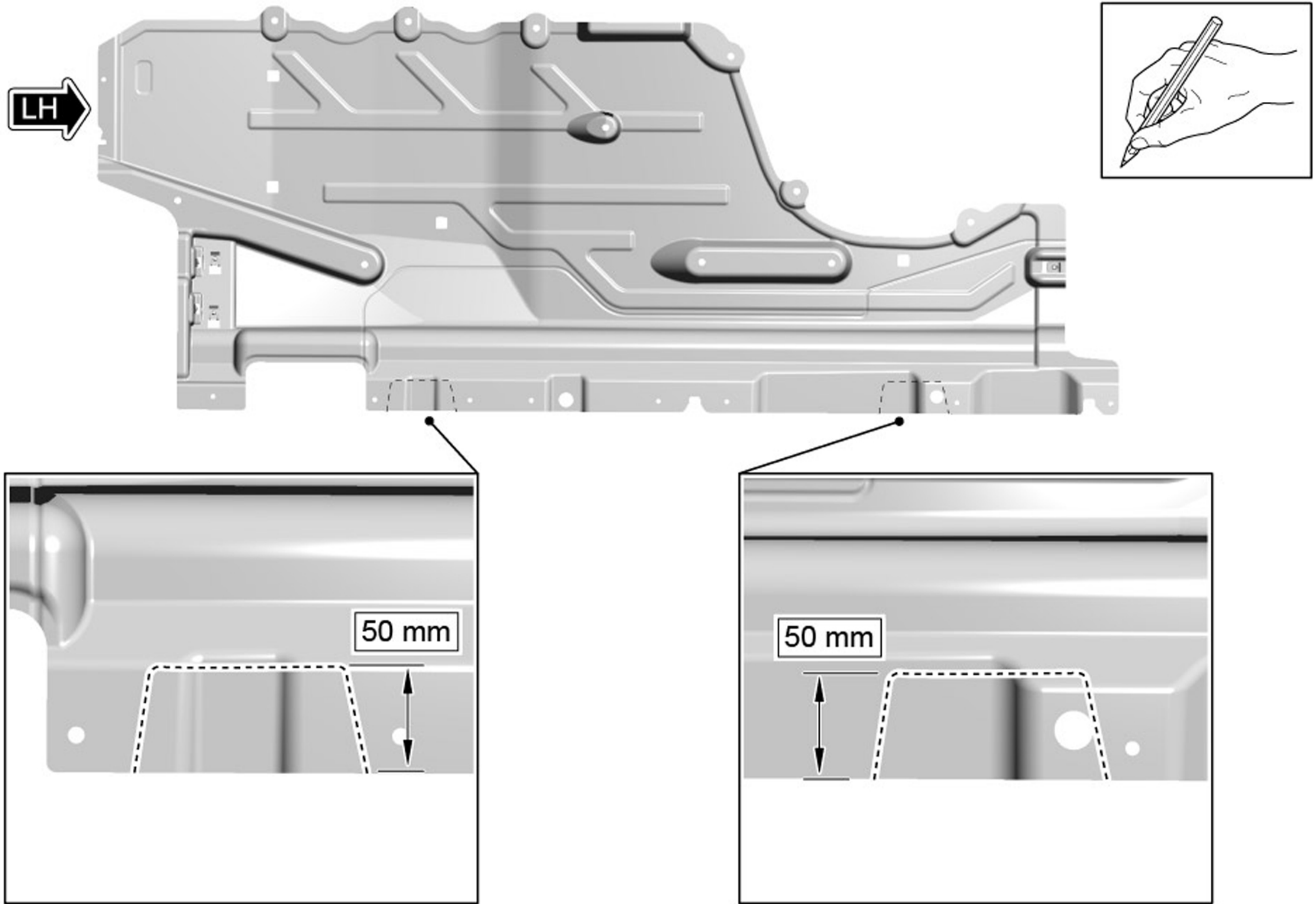
Warning: Make sure to wear appropriate personal protective equipment

9

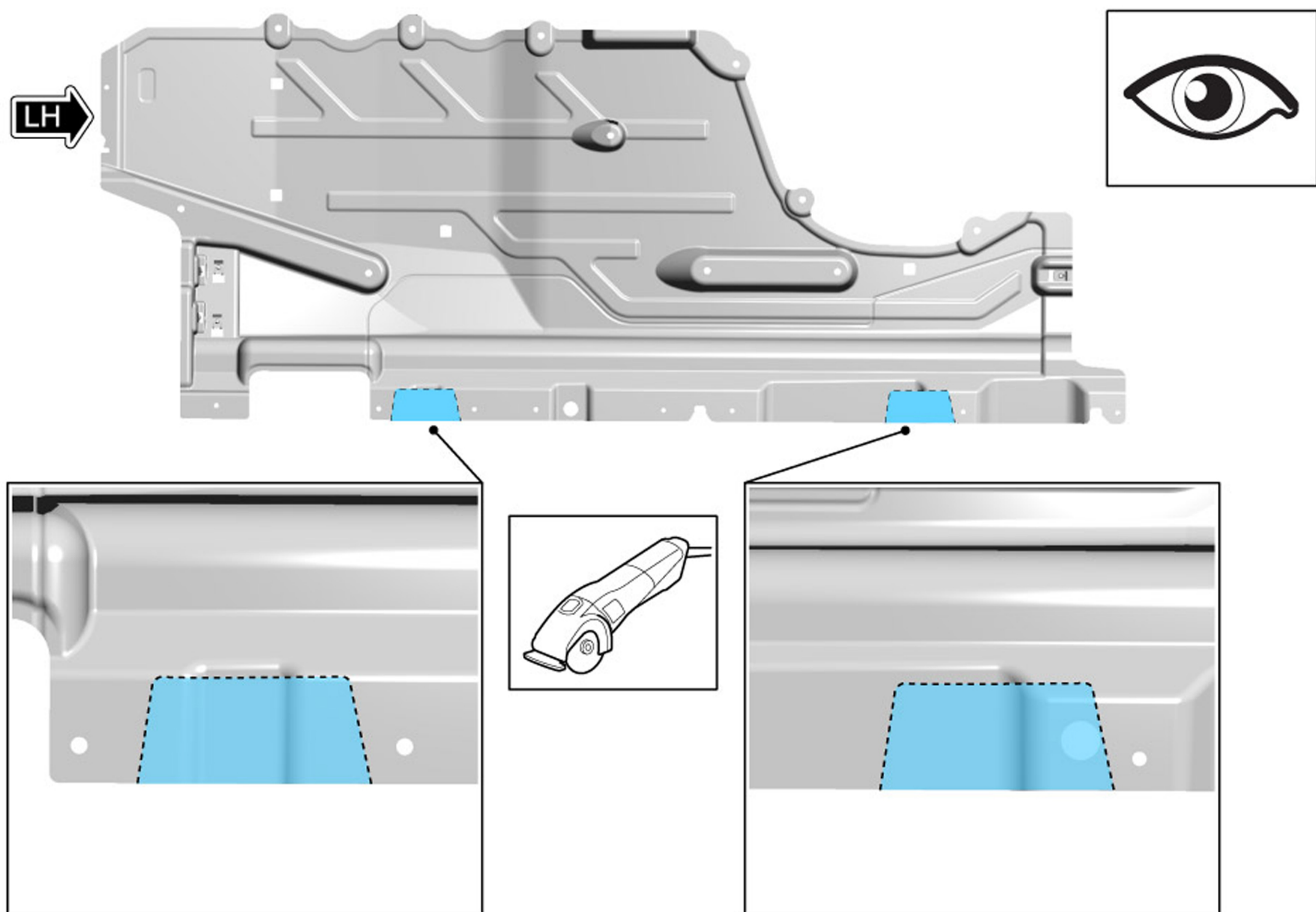
Make sure to carefully mark the part of the bottom guard that will be cut



As the picture shows

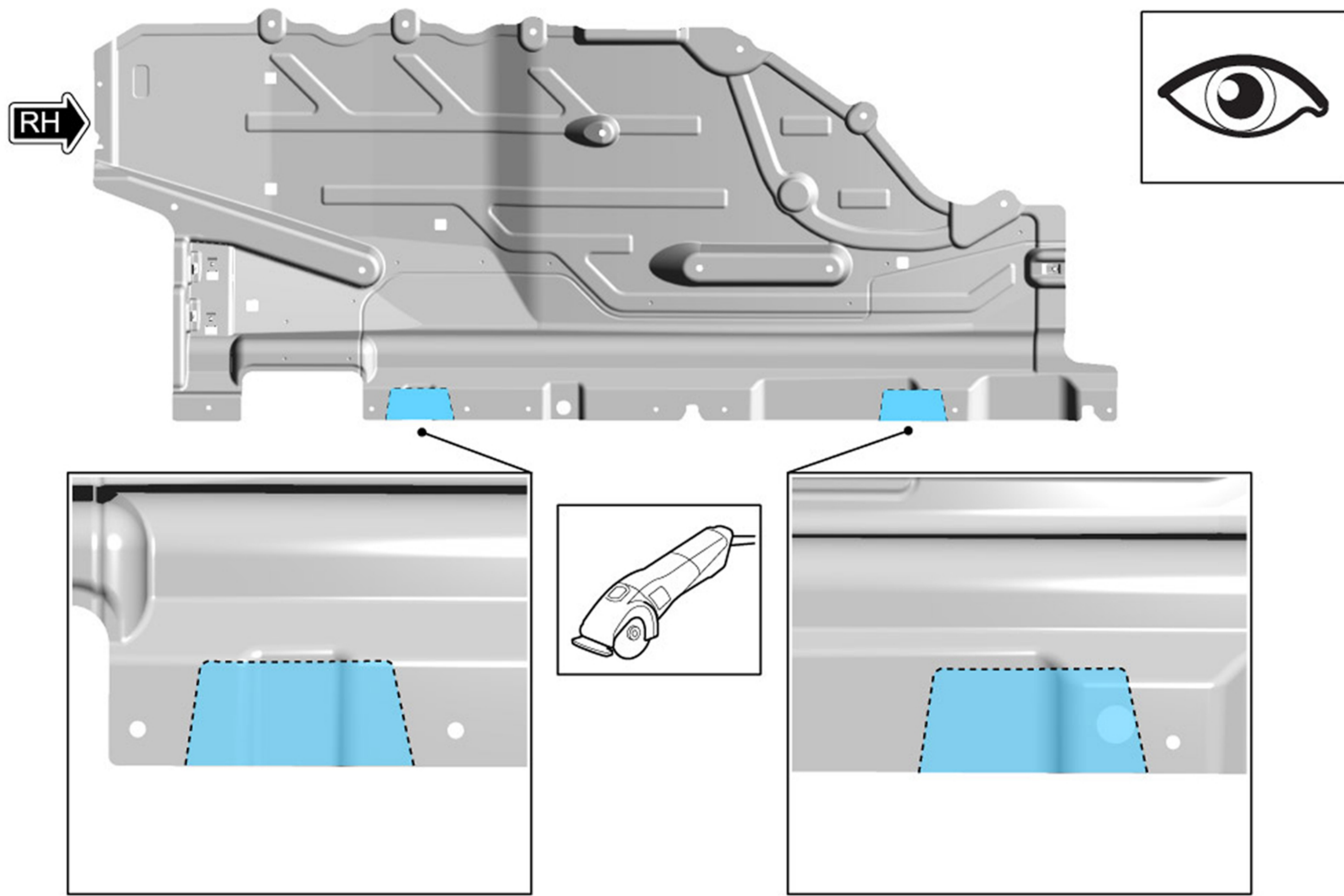


As the picture shows



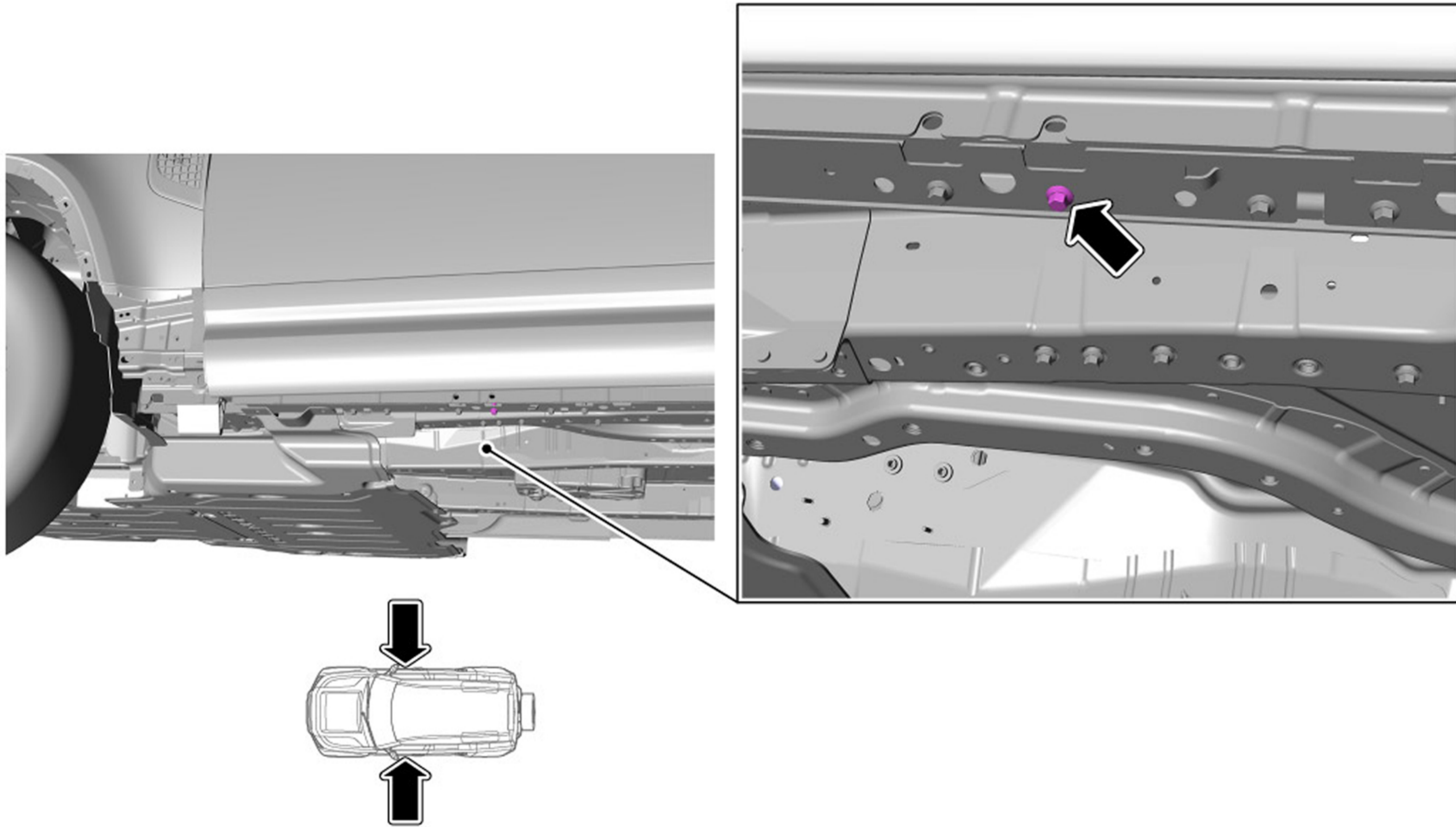
12

As the picture shows



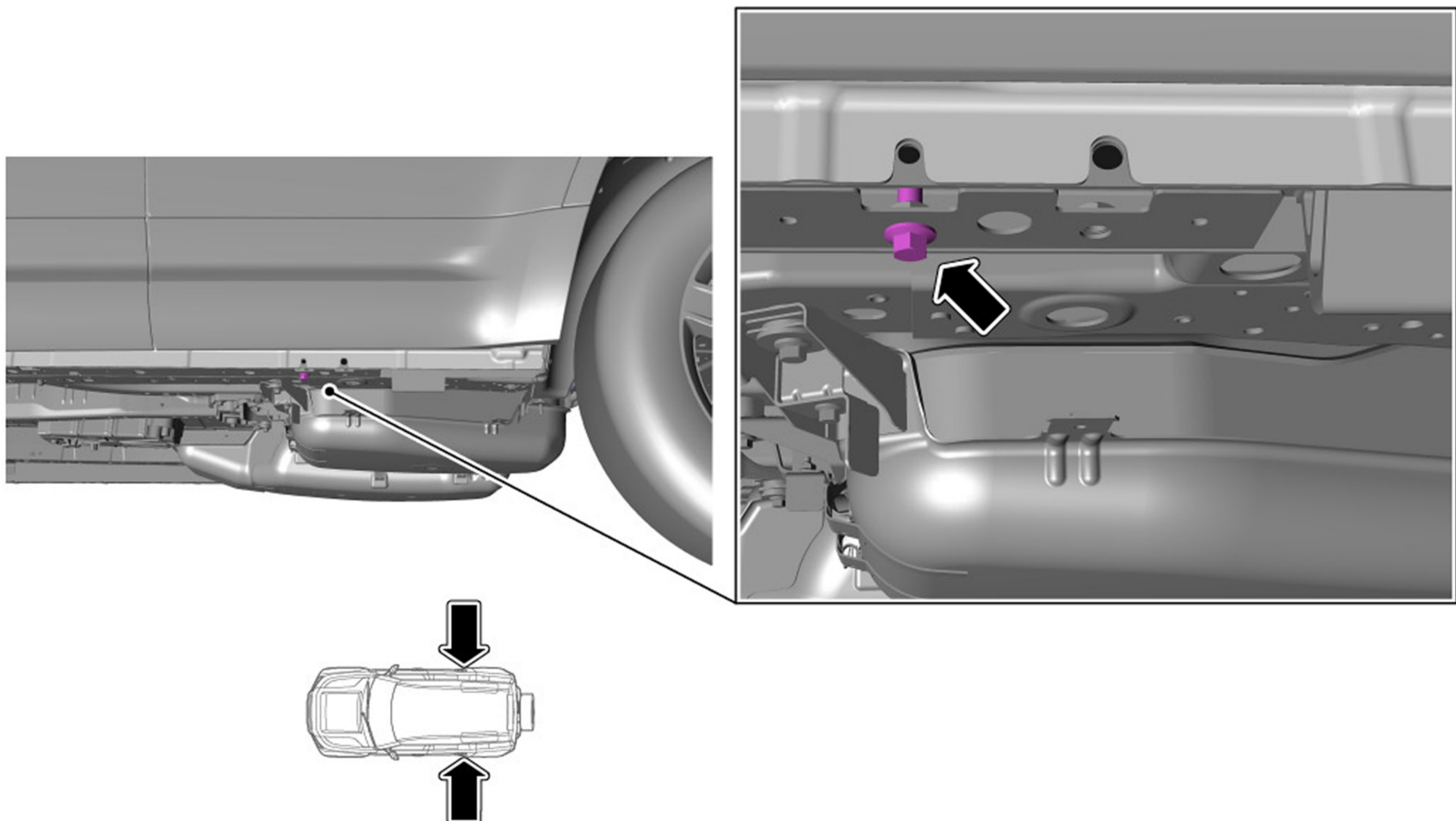
13

Remove and discard bolts as shown on both sides of the vehicle



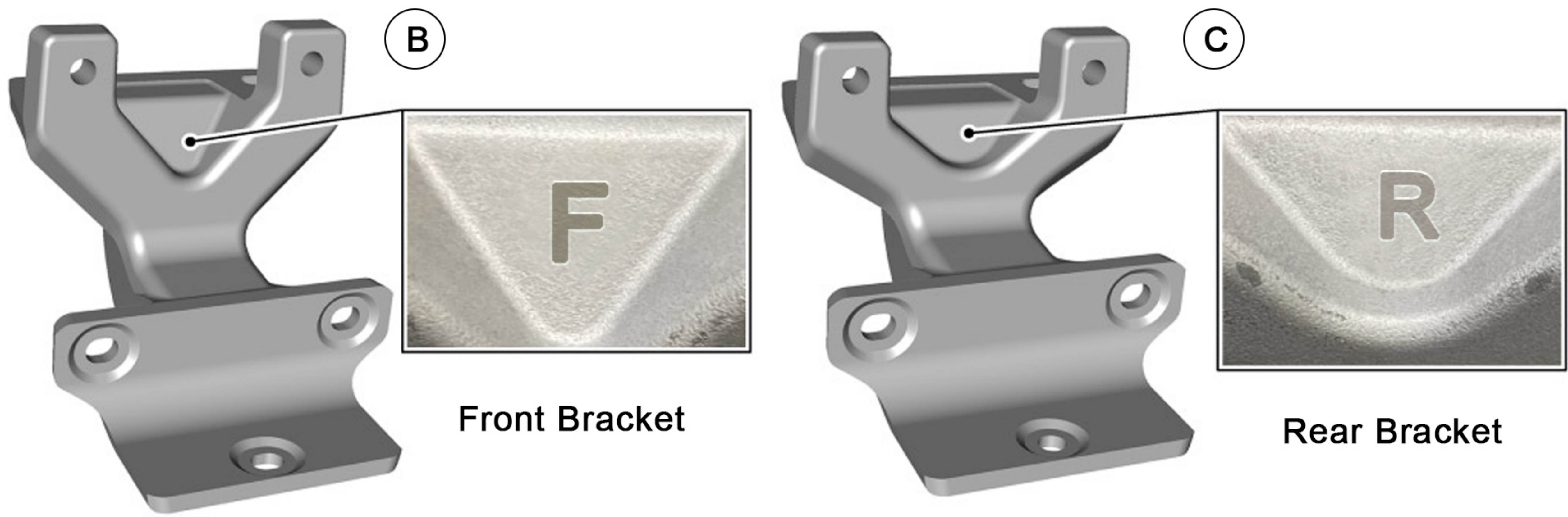
14

Remove and discard bolts as shown on both sides of the vehicle



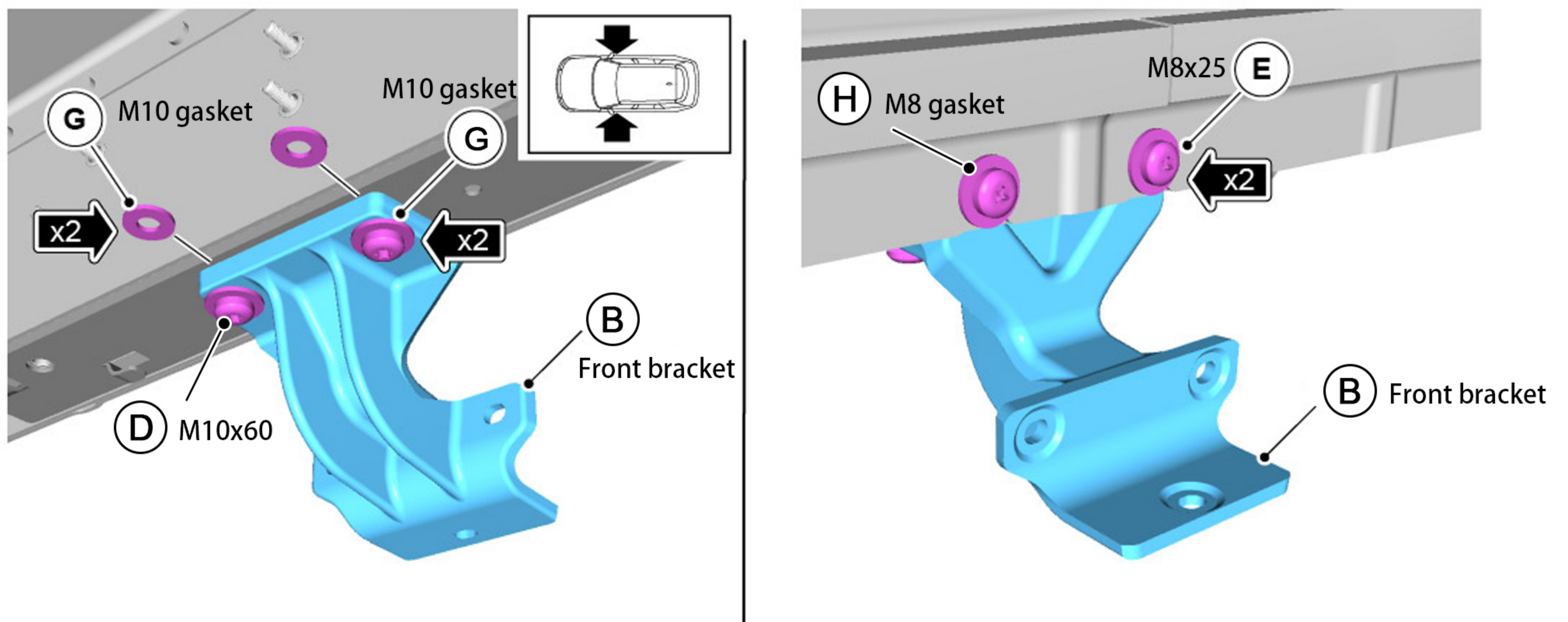
15

As shown in the picture, distinguish the front and rear brackets



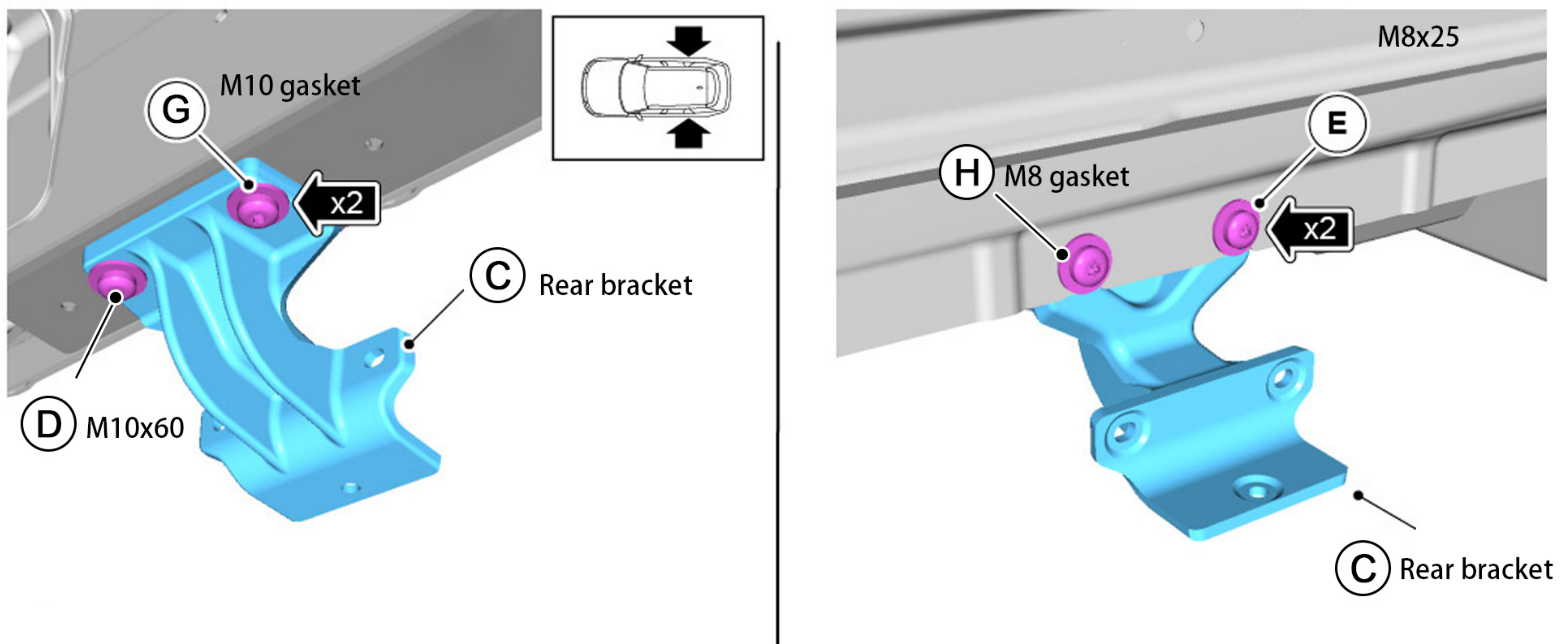
16

As shown in the picture, when installing the front bracket, two G gaskets(M10) need to be added between the car body and the bracket



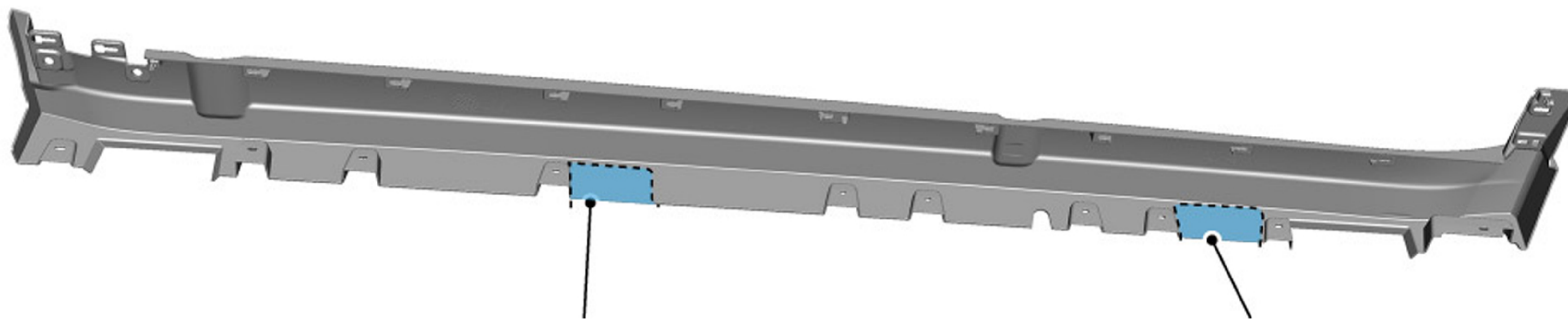
17

Make sure that the bracket is installed in the correct position on the vehicle. As shown in the picture, when installing the rear bracket, there is no need for a gasket between the car body and the bracket.



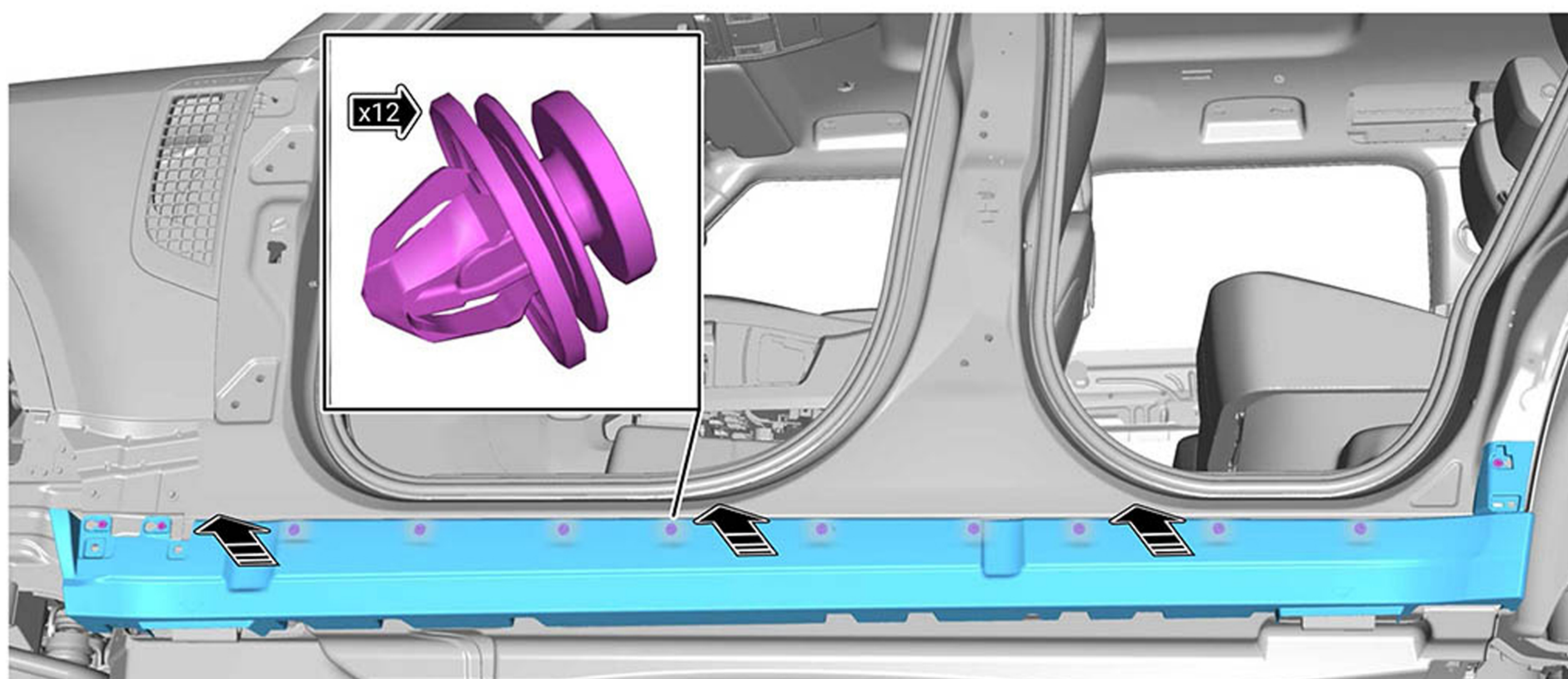
18

Replace the side skirt clip, move the skirt to its original position



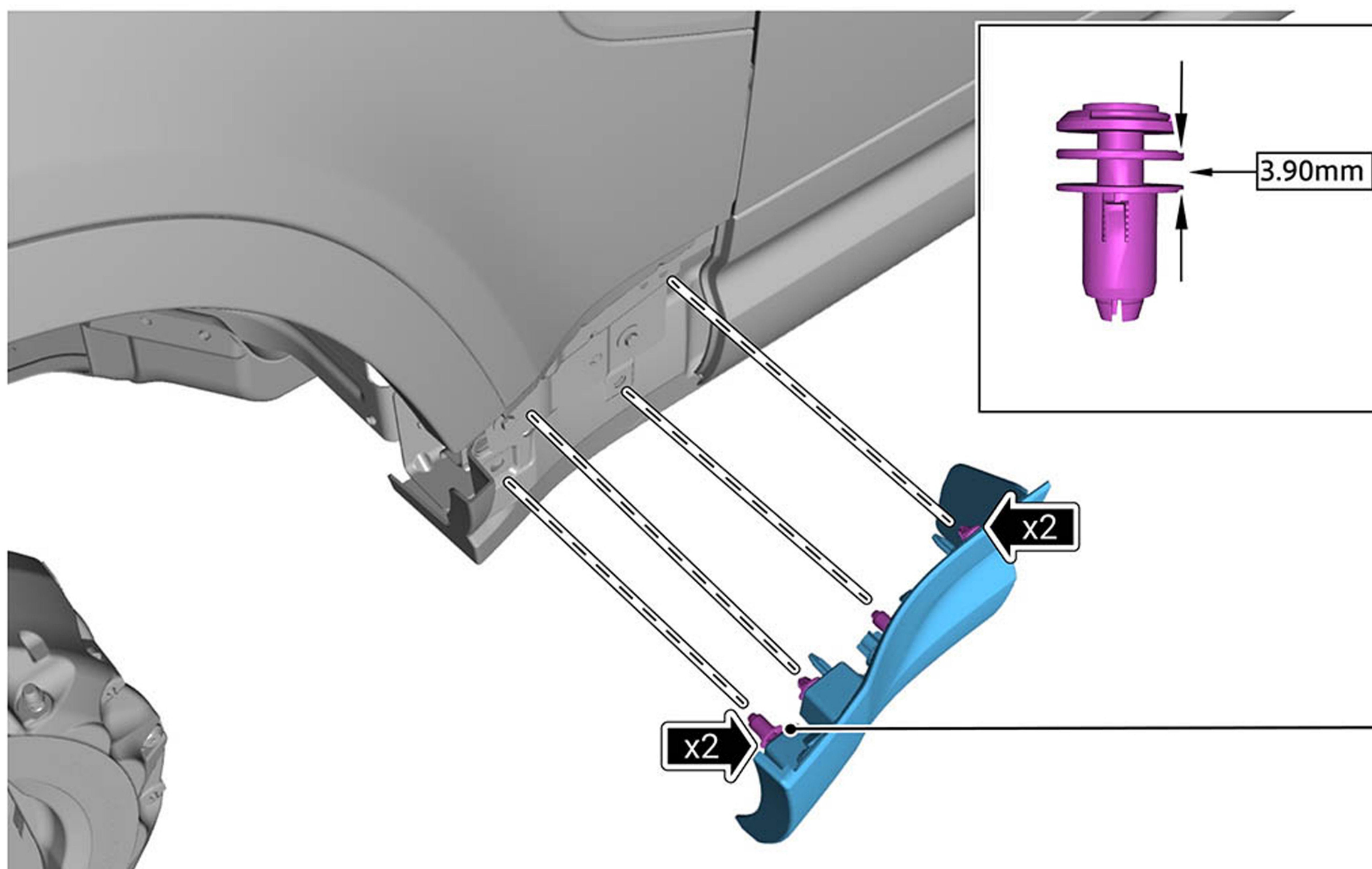
19

As shown in the picture

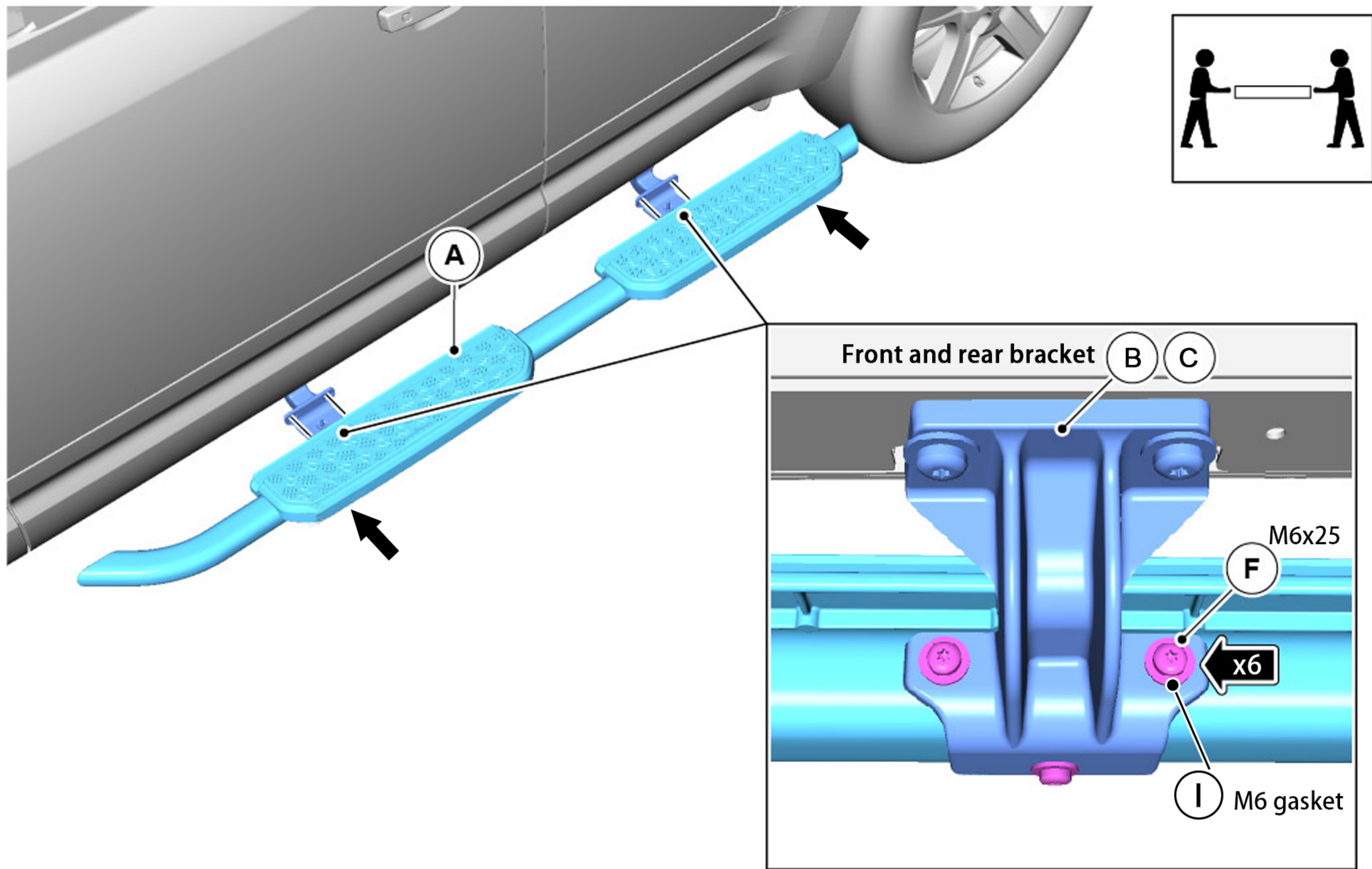


20

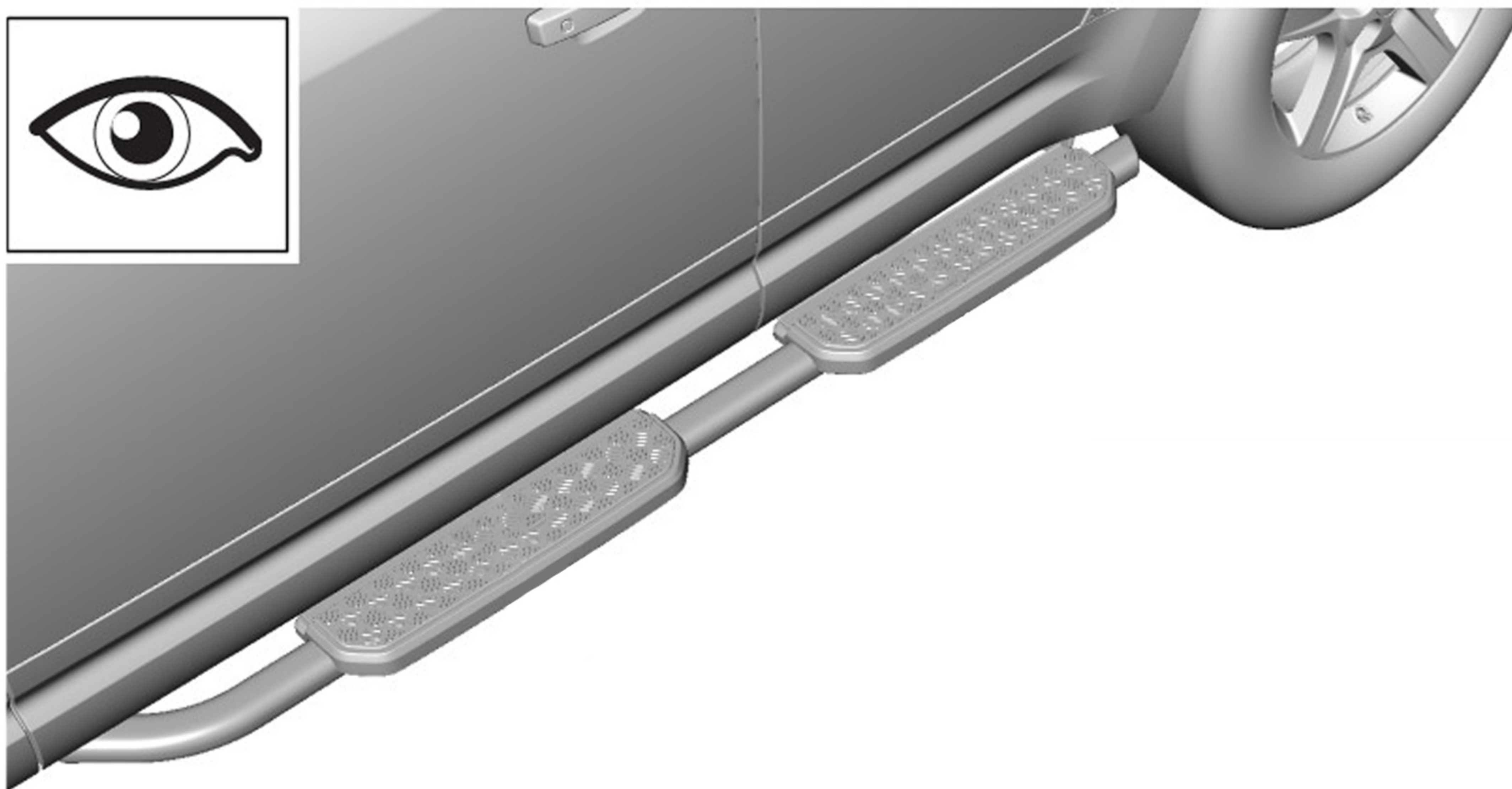
Restore the front fender molding



As shown in the picture, install the screws



The installation is complete.



Disclaimer: Related problems and losses caused by improper installation and use are not covered by our company's warranty.