

# Product Instructions

(Running Boards suitable for Land ROVER Range ROVER Evoque Dynamic Side Steps 2011-2015)

## 1. Matters needing attention:

In order to facilitate your installation, please read the product manual carefully before installation; protect your car and avoid scratches during installation;

When installing, please remember the installation position of the parts removed from the car, so that they can be correctly installed back to their original positions after installation;

After installation and use, please periodically check whether the connecting accessories are loose to ensure safe use.

## 2. Functions and features:

After the product is installed, it is convenient for drivers and passengers to get on and off the vehicle; and the product has a certain protective effect on the side of the body;

The product is perfectly matched with the body to make your car more beautiful;

Directly use the body holes for installation, without drilling holes and easy installation.

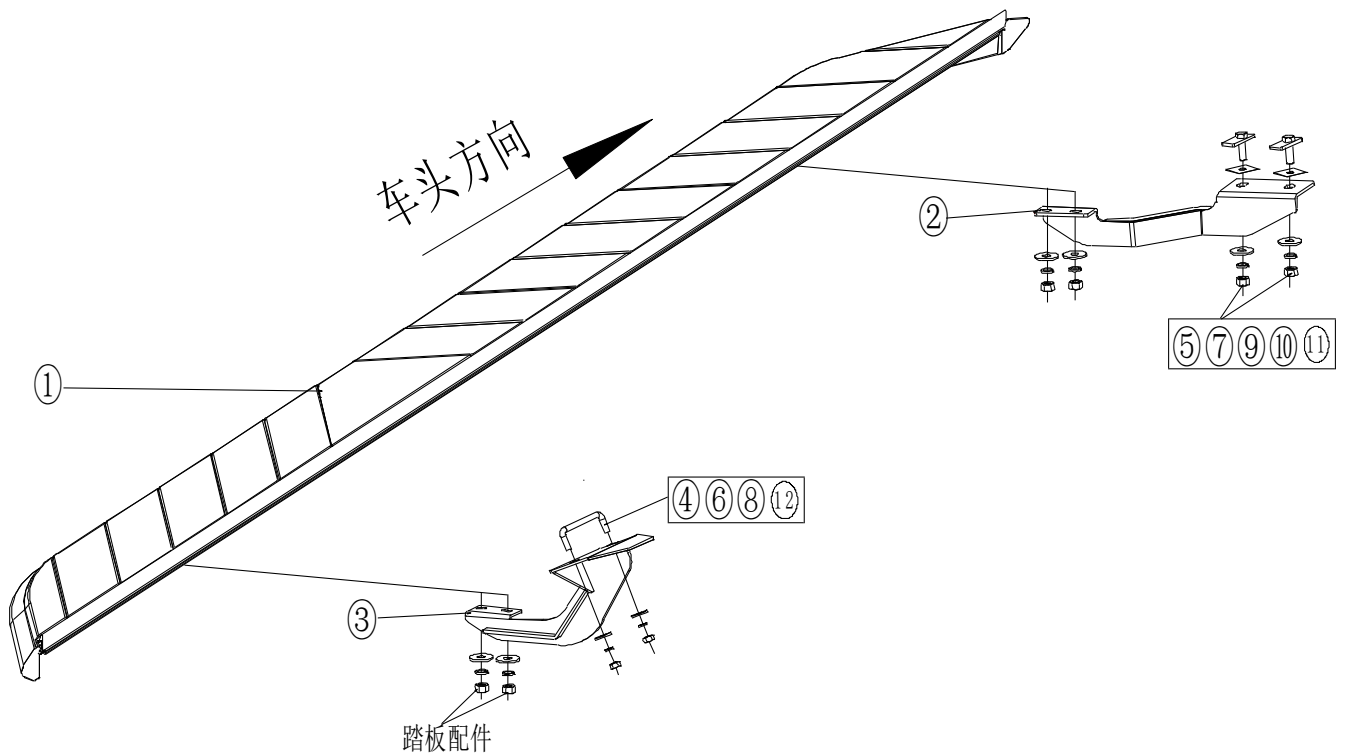
## 3. Product accessories:

No.	Accessory name	Quantity	Specification	No.	Accessory name	Quantity	Specification
1	Running boards	2		8	Outsize flap joint-packing	4	
2	Brackets	2		9	Outsize flap joint-packing	4	
3	Brackets	2		10	Plastic clip	4	
4	Hexagonal nut	4	M10	11	T bolt 1	4	
5	Hexagonal nut	4	M12	12	U bolt	2	
6	Spring joint-packing	4	10 mm				
7	Spring	4	12 mm	Note: Among them, the overrider pedal S1 is			

	joint- packing			another
--	-------------------	--	--	---------

## Installation diagram

Head of your car



Six installation steps:

Step 1: Refer to the accessories list to check whether the accessories are complete; Check the installation accessories.

Step 2: Install the front bracket. As shown in Figure 1, first install ⑩ ( $\phi 12$  plastic block) to  $\phi 11$  (T-bolt 1). Before installing ⑩, find the front bracket installation hole on the bottom of the car, and install ⑩ to the hole position. In the rear, use accessories ⑤ ⑦ ⑨ to fix the

front bracket on the bottom of the car, do not tighten it; (Note: the left and right brackets are installed in this way);

Please find out the holes on your car bottom as pic below. Please fix ⑩ to the the holes and use accessories ⑤ ⑦ ⑨ to fix front brackets to your car, but do not screw in hard(left and right front brackets use the same way to install)

Holes to install front brackets

((Accessories acc ⑤ ⑦ ⑨ ⑩ o11)



Figure 1

Step 3: Install the rear bracket. As shown in Figure 2, first find the mounting hole of the rear bracket on the bottom of the car, and after installing the  $\phi 12$  (U-bolt) into the hole, use the accessories ④ ⑥ ⑧ to fix the rear bracket on the bottom of the car without tightening it; ( Note: The left and right brackets are installed according to this method); Please find out the holes on car bottom as pic below, please fix  $\phi 12$  (U bolt) to the the holes and use accessories ④ ⑥ ⑧ to fix rear brackets on the car bottom, but do not screw in hard(left and right front brackets use the same way to install)

Rear brackets installation holes

(Accessories acc ④⑥⑧o12)

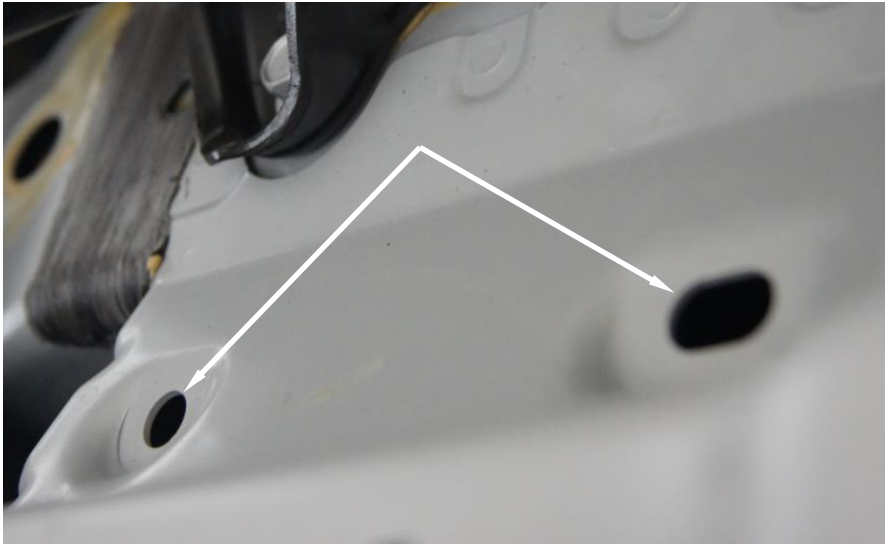
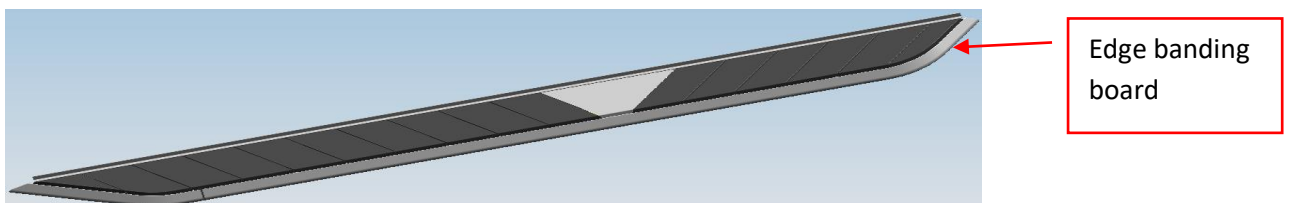


Figure 2

Step 4: Install the overpasser pedal S1 on the bracket, and use the screws on the pedal to fix the pedal on the bracket; Put the boards on the brackets and use the screws on the board to fix it to the brackets

Step 5: After adjusting the pedal to the best position, tighten all screws; adjust the position to perfect fit and then screw in hard.



Step 6: Check whether the bolts are missing, whether all bolts are tightened, and the installation is complete.

5. Disclaimer: Related problems and losses caused by improper installation and use are not covered by our company's warranty.